

Congratulations on your choice of a Pro Armor audio product
This "Quick Start" Installation guide is meant to help you complete a basic installation.



CAUTION

Always consider consulting a professional audio installer before installing new speakers or electronics. Be careful and take your time. Do not let audio wires and cables make contact with metal edges or hot engine components, use grommets to protect against wires being pinched or cut throughout the installation.

WIRING

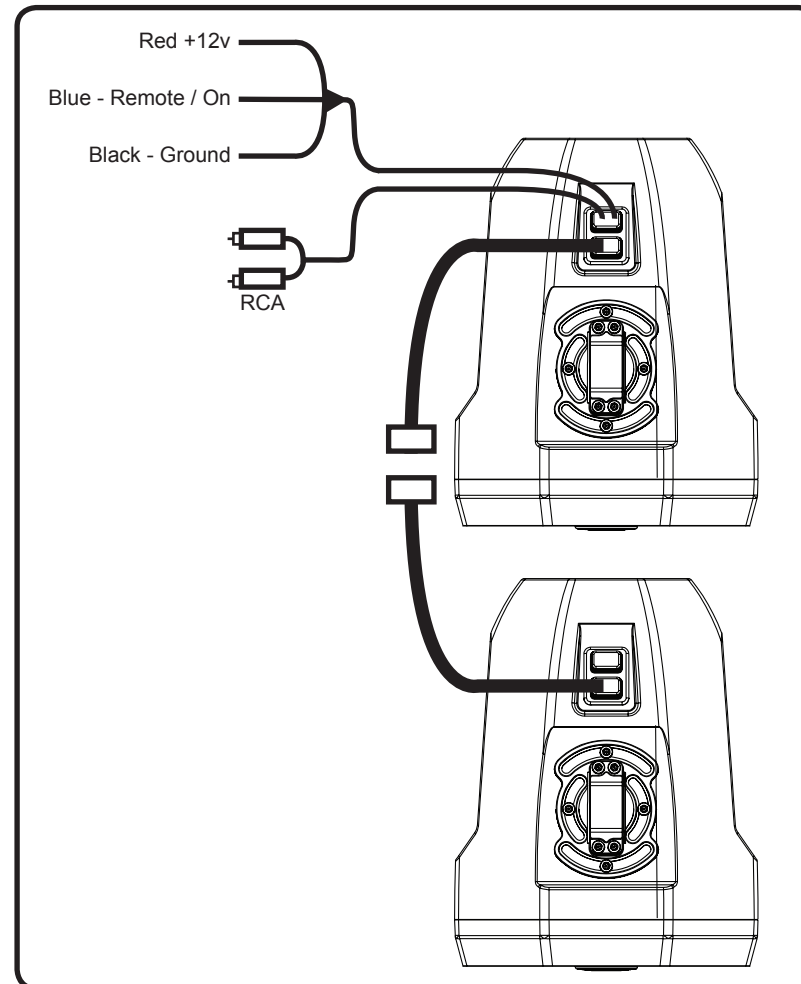
The #AU51018 speakers have a built-in amplifier in one unit, let's call it speaker #1. This is always mounted on the passenger side, looking forward. You will wire speaker #1 to the source unit as well as battery and ground. Speaker #2 is passive that connects to speaker #1.

POWER CONNECTIONS

- Connect the Black ground cable to the chassis. DO NOT use a ground access point from another piece of electronics, like a winch or lightning system. This can cause severe noise through your speakers.
- Connect the Blue cable to the radio or source unit "turn on" wire. This connection turns the speakers on/off with the source unit.
- Next, connect the Red power wire to a fused power wire. The power wire should be 10ga and fused no more than 12 inches from the battery. A 20amp ATC fuse is recommended.
- Make +12v connection either to a heavy gauge busbar connection or to the battery itself.

AUDIO CONNECTION

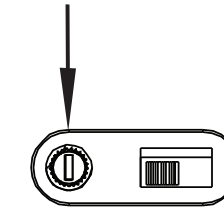
- RCA Inputs receive the signal from the source unit. Use a good quality RCA cable to run to the main speaker #1.
- Use the included cable to connect speaker #1 to speaker #2



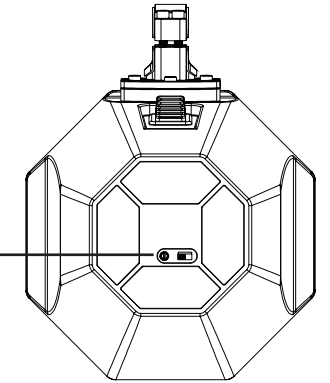
SETTINGS

The innovative Pro Armor tower speakers have minimal controls to make it easy to focus on the music and not making adjustments to equipment. When you have made your adjustments, and mounted the speaker, there are stickers in the box to cover these access holes.

Input Level Adjustment



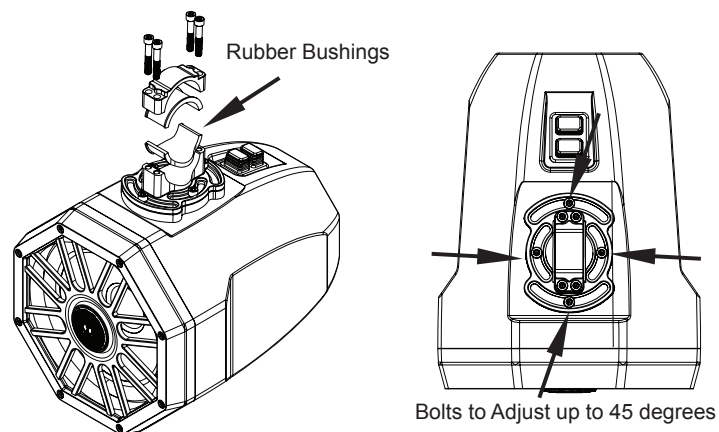
Illumination Selector



- Illumination – On the back of speaker #1 you will see a recessed 3-position switch. This changes the illumination of your speakers from Blue, Red or off.
- On the back of speaker #1, you will see a recessed input gain control. This is to adjust the input of the amplifier to the output of your source unit; it is not just a bonus volume turning control. If this control is set too high, it can cause damage to your speakers.
- Ensure that the Level is turned completely to the left prior to turning the system on. Next you should play source material that you are familiar with as a reference, turn the head unit volume control to about 80% of its full setting. The system sound level will of course be very low, and the following procedures will help you to match the amplifier input sensitivities properly to the head unit output signal level.
- Turn the level control up slowly until you hear distortion, and then back off a few degrees on the control. If you reach a point where the output does not increase, stop turning the level control to the right as the amplifier has reached its maximum output in this application. Input sensitivity range is from 0.2 volts to 4 volts.

MOUNTING & ANGLE

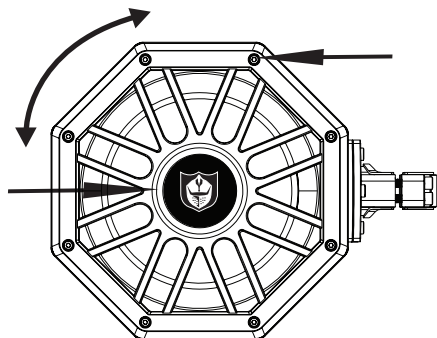
The Pro Armor speakers include hardware to mount on a 1.5 or 1.75 inch roll bar. Notice different rubber bushings are included to create a firm mount on either.



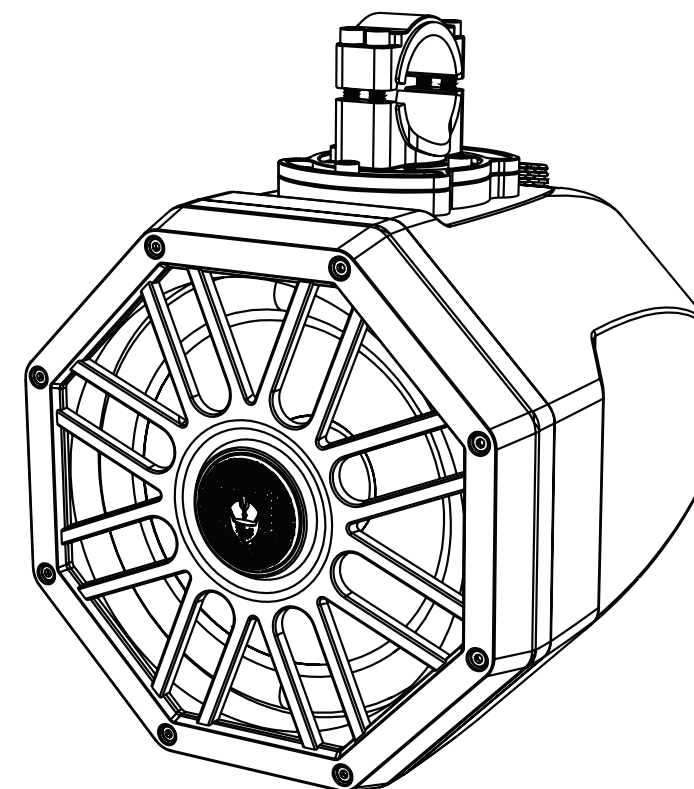
The mounting system also incorporates a pivot feature to adjust the angle of the speakers. Using an Allen wrench you can loosen and adjust the pivot either left or right up to 45 degrees from start position.

PRO ARMOR SHIELD

The tower speakers can be mounted in either the vertical or horizontal axis. If you want to adjust the Shield logo, simply unscrew the 8 mounting screws and cautiously re-align your Pro Armor Shield to be facing the action.



PRO ARMOR®



PRO ARMOR

5867 Jasmine St.
Riverside, CA 92504
OFFICE: [951] 343.9270
TOLL FREE: [888] 312.7667

Quick Start Manual
Part #AU51018

Powered Powersports Speakers
Waterproof | 8 inch 2 way Speakers | Built-in 200 Watt Amp