



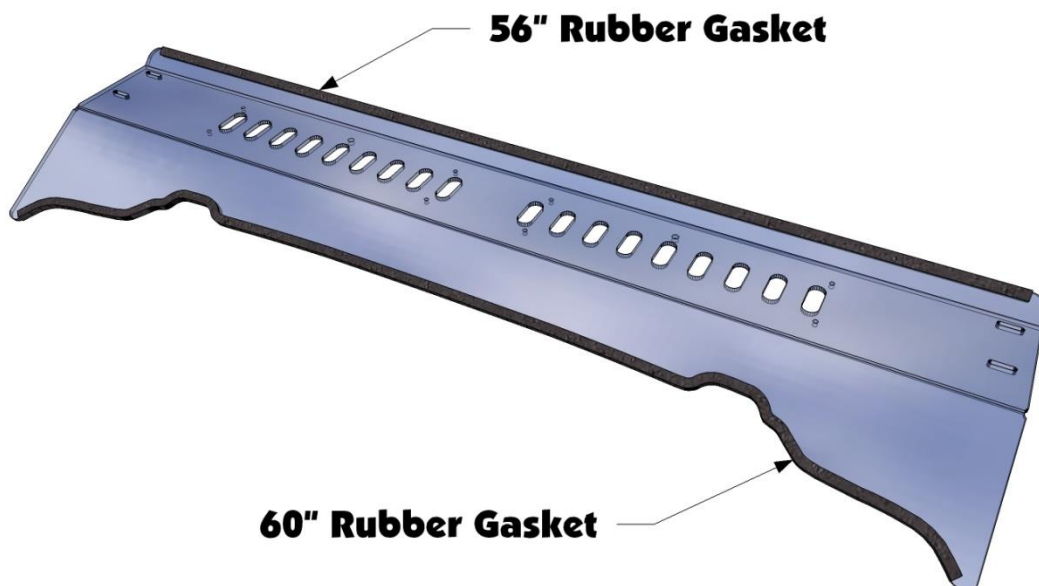
2515 Bypass Rd
Flemingsburg, KY 41041
(606) 845-7439

Instructions for Installation and Care of
2008 and Older Polaris Ranger
Aero-Vent Polycarbonate Windshield
PO-08RANGER-WD05

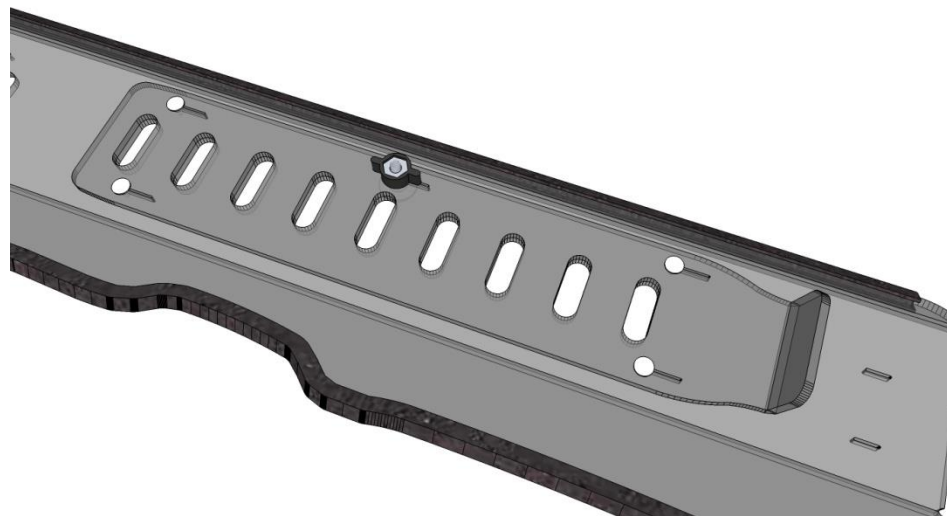
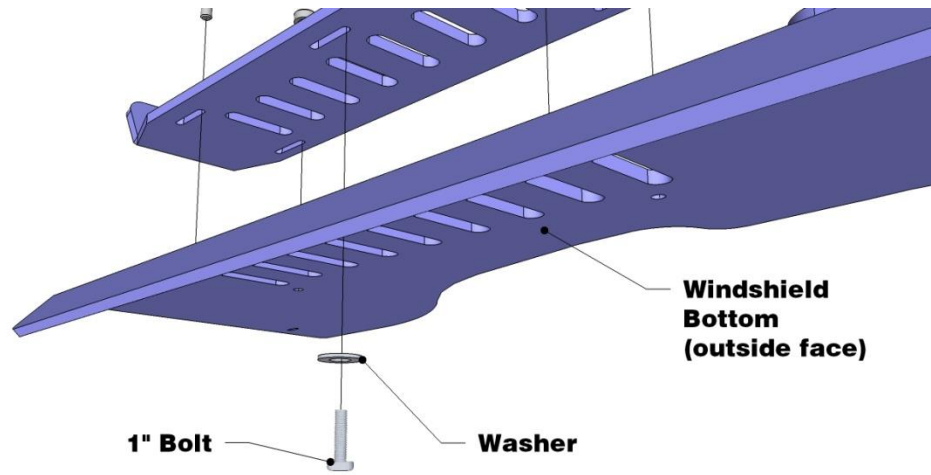
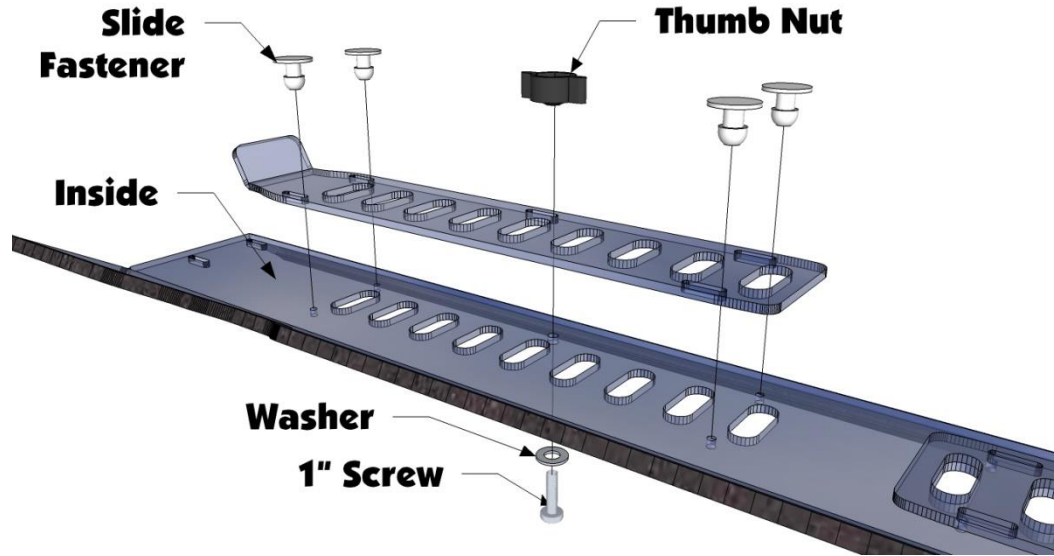
1. Be sure to read these instructions thoroughly before opening and installing the 2008 and Older Polaris Ranger Polycarbonate Windshield. Check over the parts included in the cartons with the parts list shown below:

1 3/4" Loom Clamps	8 each
1 1/2" Loom Clamps	2 each
1" Stainless Steels Bolts	16 each
Stainless Steel Washers	20 each
Slide Fasteners	8 each
Lock Nuts	4 each
Plastic Thumb Nuts	12 each
Sliding Vent Panels	2 each
60" Rubber Gasket	1 each
56" Rubber Gasket	1 each
Bent Polycarbonate Braces	1 each
Polycarbonate Windshield	2 Pieces

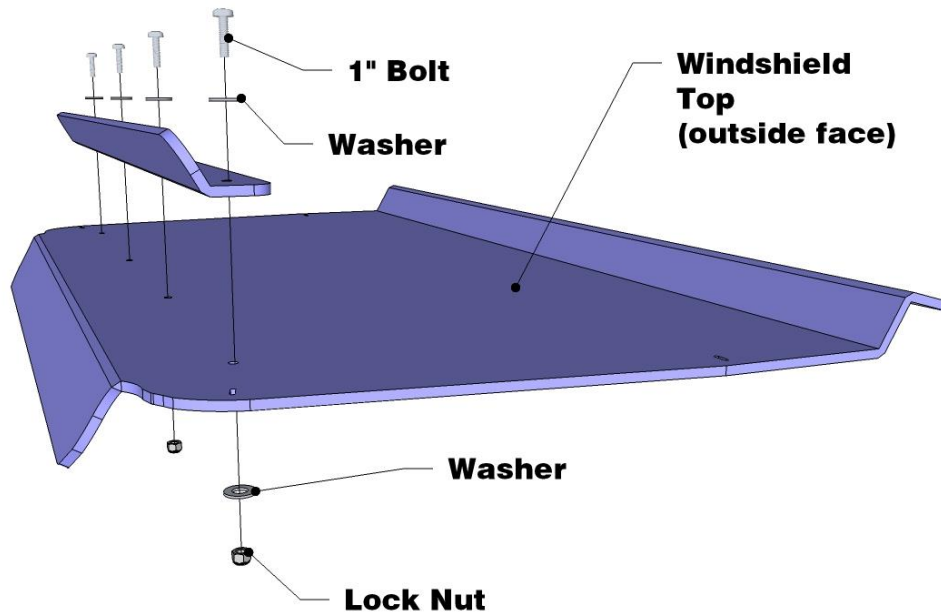
2. Start by pulling it out of the box and find a clean area to lay it down and install the hardware. Next take the rubber gasket and starting at one end firmly place along entire bottom and top edges of the lower Windshield Section. You will need to peel back the protective film from the edge to install the gasket. If you leave the bulk of the protective film on while installing, you can keep from scratching the windshield.



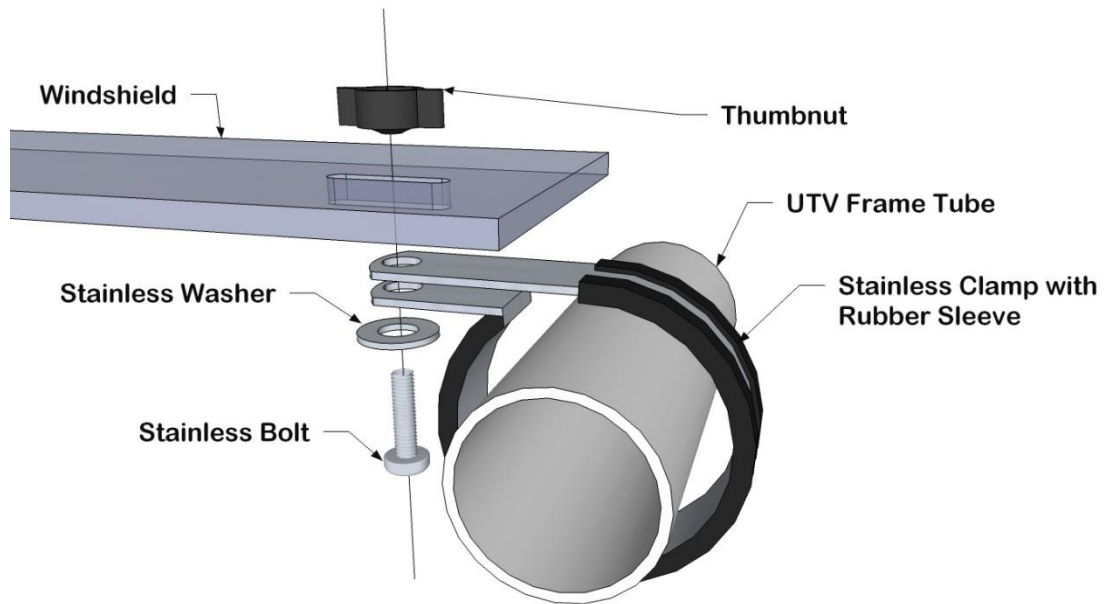
3. Next Install the Aero-Vent sliders as shown in the diagram below.



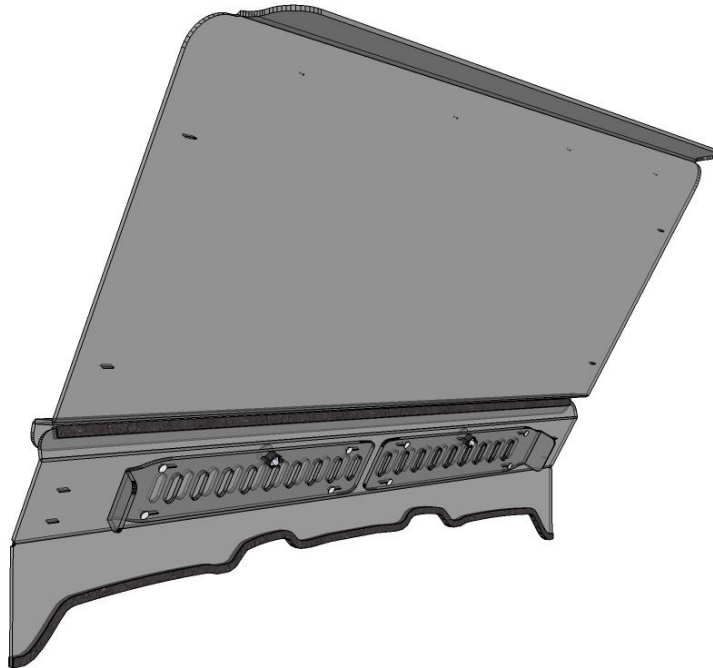
4. Next take the bent Polycarbonate brace and install it on the windshield. Please see diagram below.



5. Now you are ready to place the windshield on the Ranger and attach to the roll cage. **NOTE: THE BEND AT THE TOP OF THE WINDSHIELD SHOULD GO BELOW THE TOP TUBE.** The diagram on the next page shows the proper placement for the hardware. Install the clamps as shown for the top two slots in the windshield only. Use the 1" bolts for this application.



6. Now Place the two halves onto the frame as shown below.



7. Now you are ready to take it out and enjoy. To clean the windshield, always clean using a liquid of some sort to decrease the chance of scratches. We recommend using micro fiber cloths that are readily available at any dollar store. Any window cleaner will work fine; just remember to use a soft clean rag or micro-fiber cloth to clean it.