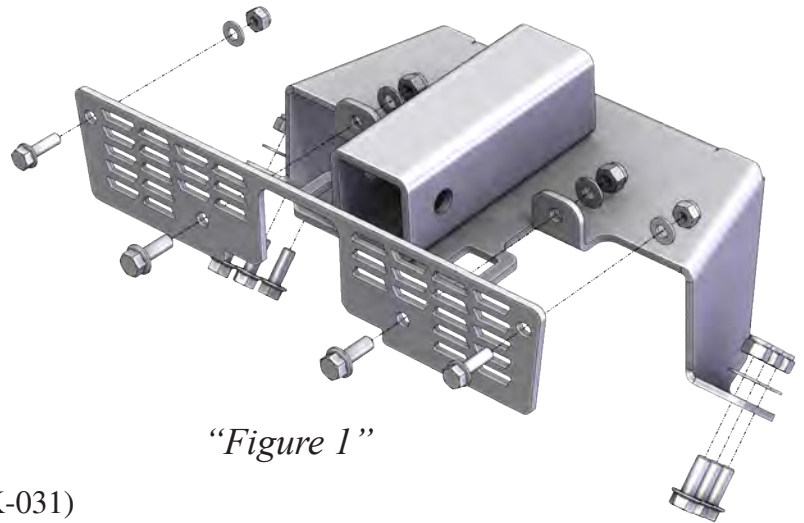


POLARIS MID-SIZE RANGER 400/500/ EV

Receiver Mount PART # 100875
Hardware Kit: HK-071
Hardware Kit: HK-031

Kit Components:

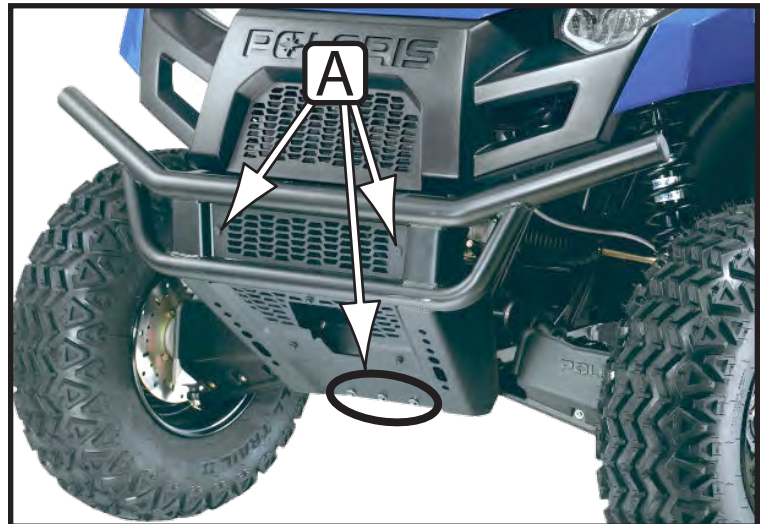
Qty.	Part Description
1.....	Receiver Plate
1.....	Grille Plate
8.....	3/8"-16 x 1" Hex Flange Bolt
8.....	3/8" Flat Washer
8.....	3/8"-16 Nylock Nut
2.....	5/16"-18 x 1" Hex Flange Bolt
2.....	5/16"-18 Nylock Flange Nut
1.....	UTV Mini-Rocker Hardware Kit (HK-031)



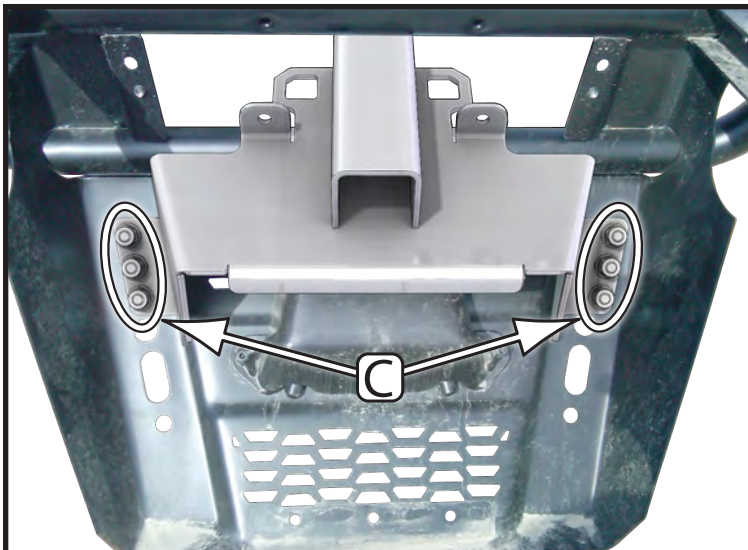
"Figure 1"

INSTALLATION INSTRUCTIONS:

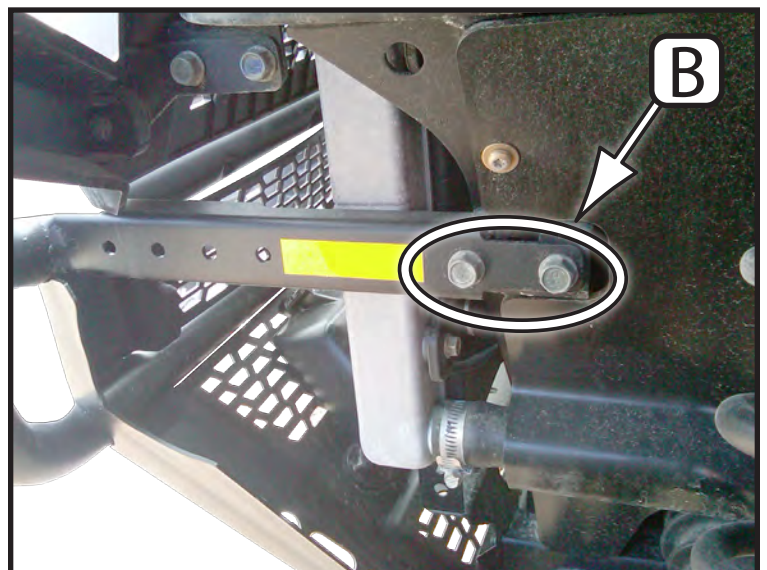
1. To take off the front bumper, remove 2 Torx Bolts and 3 bolts (A) as shown in Figure 2.
2. To fully take off bumper remove bolts (B) as shown in Figure 3.
3. Install the receiver plate using the 1" Flange Bolts, Washers, and Nylock Nuts (C) as shown in Figure 4.



"Figure 2" Front of UTV

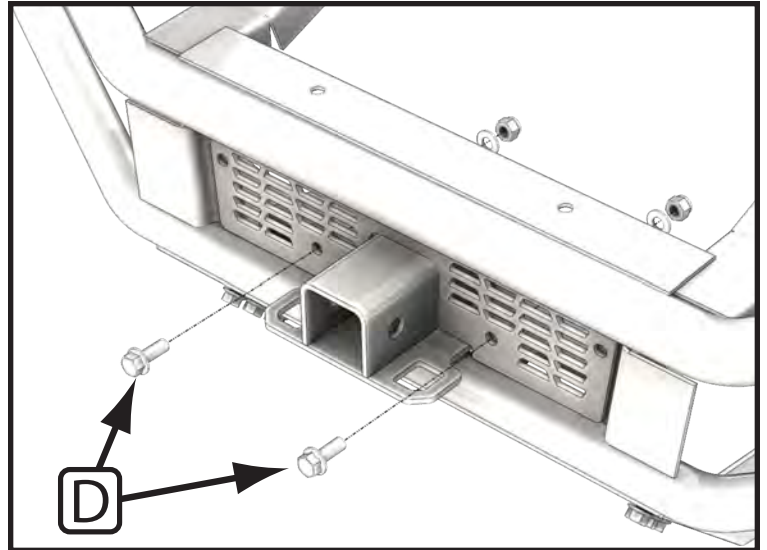


"Figure 4" Receiver Plate Install

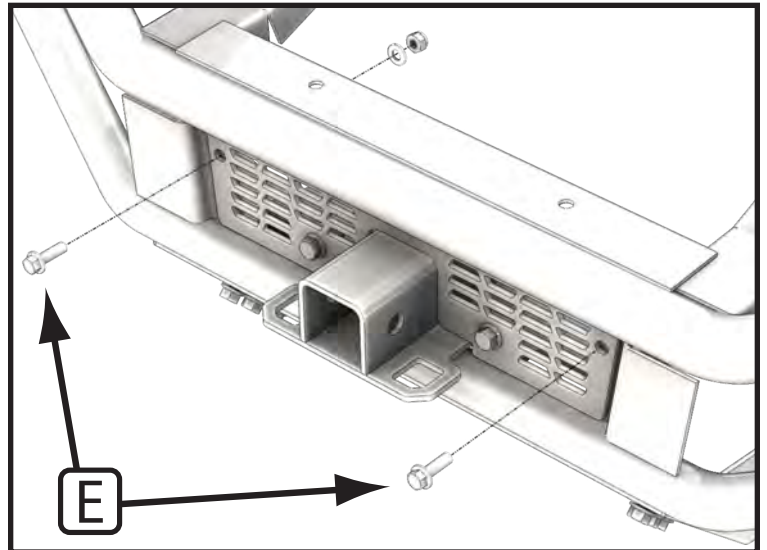


"Figure 3" Bumper Removal

4. Install Grille Plate to Receiver Plate using the remaining 3/8" x 1" Flange Bolts, Washers and Nuts (D) as shown in Figure 5.
5. Secure Grille Plate to the Bumper Frame by installing 5/16" x 1" Bolts, Washers and Nuts (E) as shown in Figure 5.
6. Tighten down all bolts.
7. Reinstall Bumper to machine following steps 1&2 in the reverse order.



"Figure 5" Grille Plate Install Part 1



"Figure 5" Grille Plate Install Part 2

