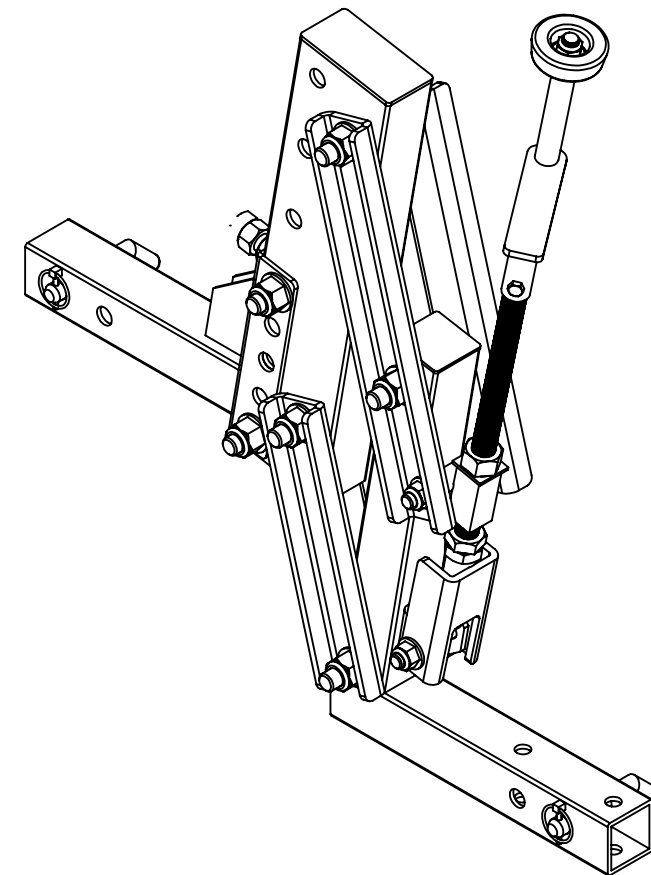
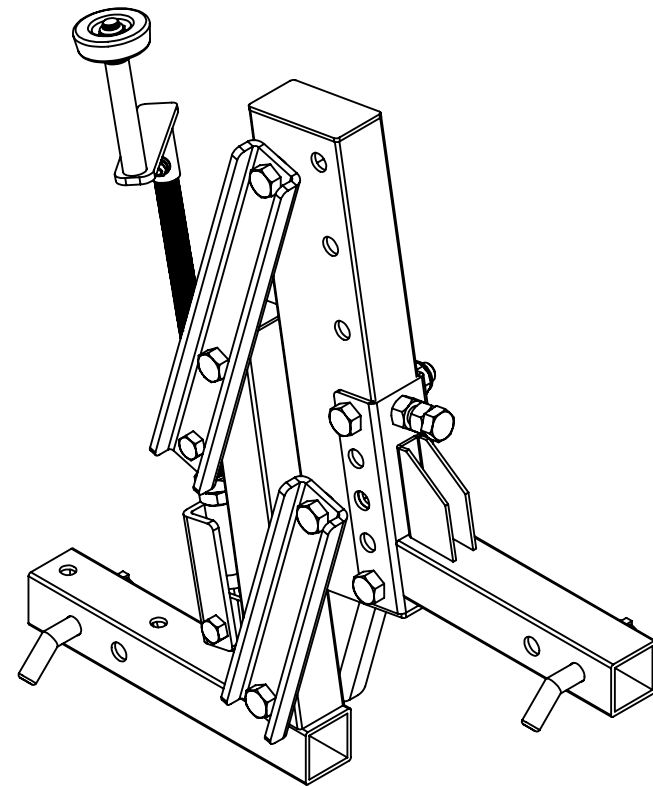




motoalliance

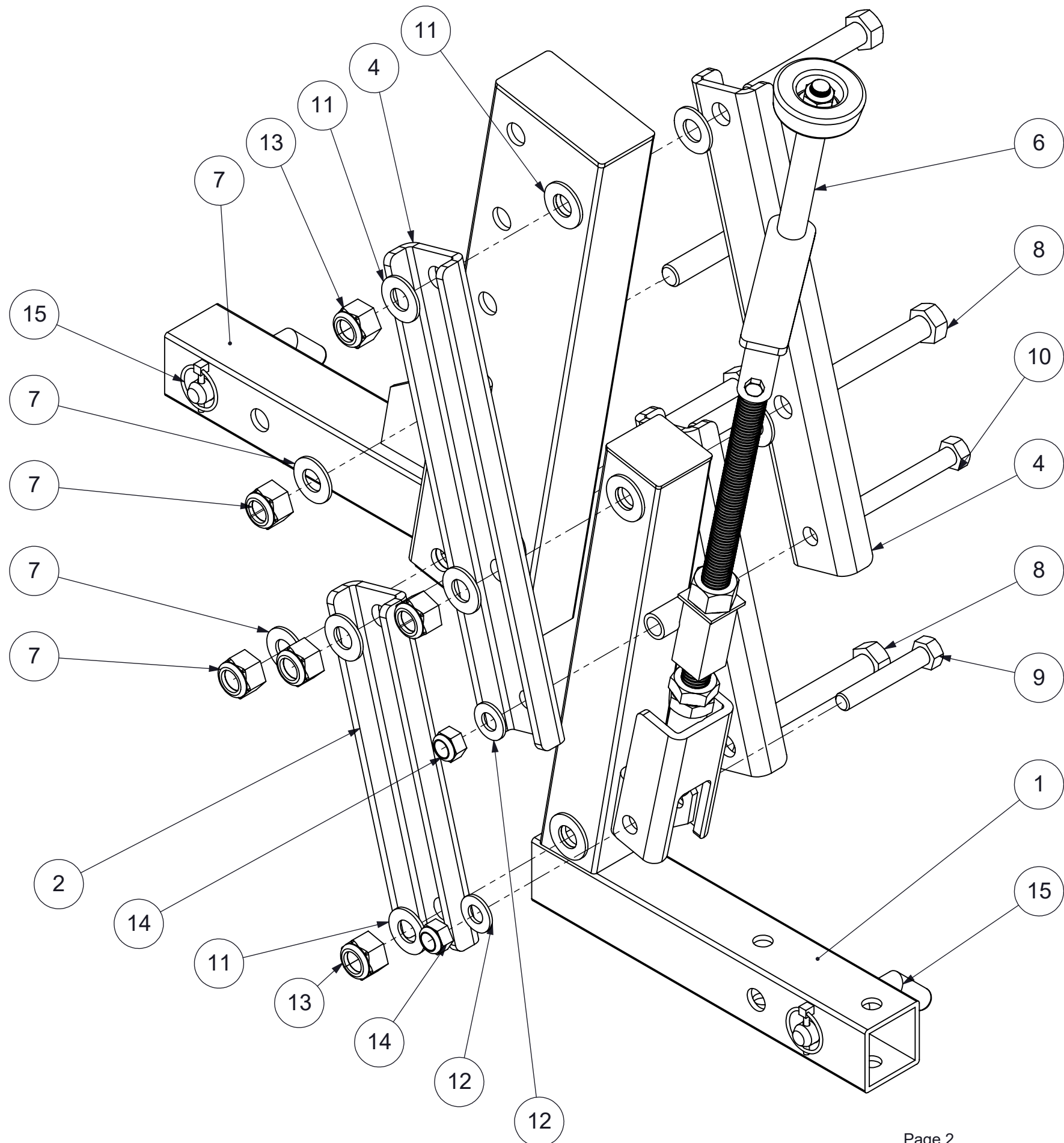
23001 Industrial Blvd, Rogers, MN 55374 / 1-866-527-7637
www.motoalliance.com - 411@motoalliance.com



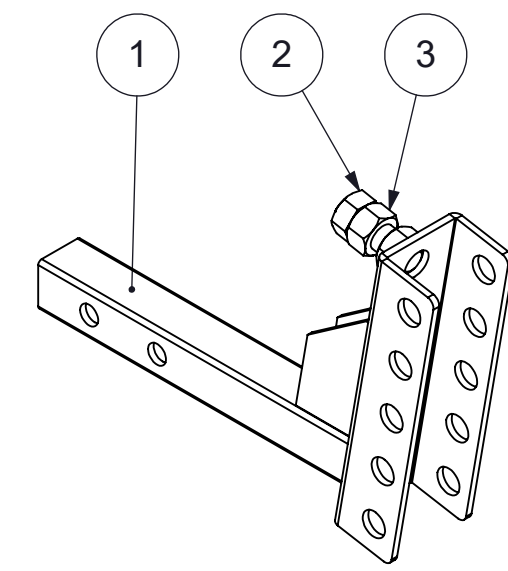
UPC 810541022924

ITEM# IP4431 BK

DESCRIPTION: Impact® Pro - 1 Point Lift System



ITEM NO.	DESCRIPTION	QTY.
1	Main Hitch Frame PRO	1
2	Side Level Plate	2
3	Lift Hitch Tube PRO	1
4	Side Level Plate PRO	2
5	Sliding Yoke	1
6	Handle Assembly	1
7	2" Receiver End Adapter	1
8	HBOLT 0.6250-11x4x1.5-N	4
9	HBOLT 0.5000-13x3x1.25-N	1
10	HBOLT 0.5000-13x3.5x1.25-N	1
11	Preferred Narrow FW 0.625	12
12	Preferred Narrow FW 0.5	2
13	5/8-11 Nylock Nut	4
14	1/2-13 Nylock Nut	2
15	5/8" Dia. Bent Hitch Pin / Snap Clip	2

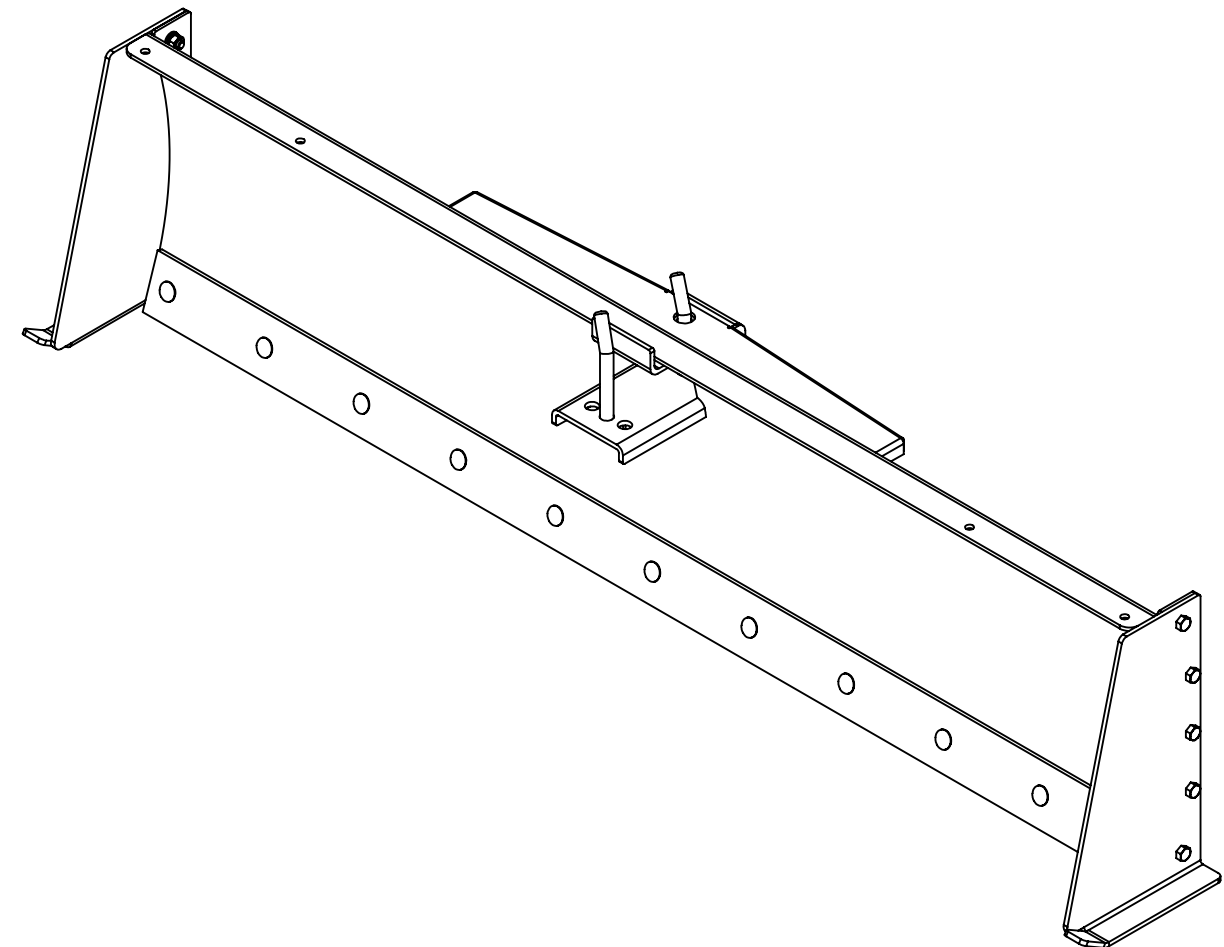
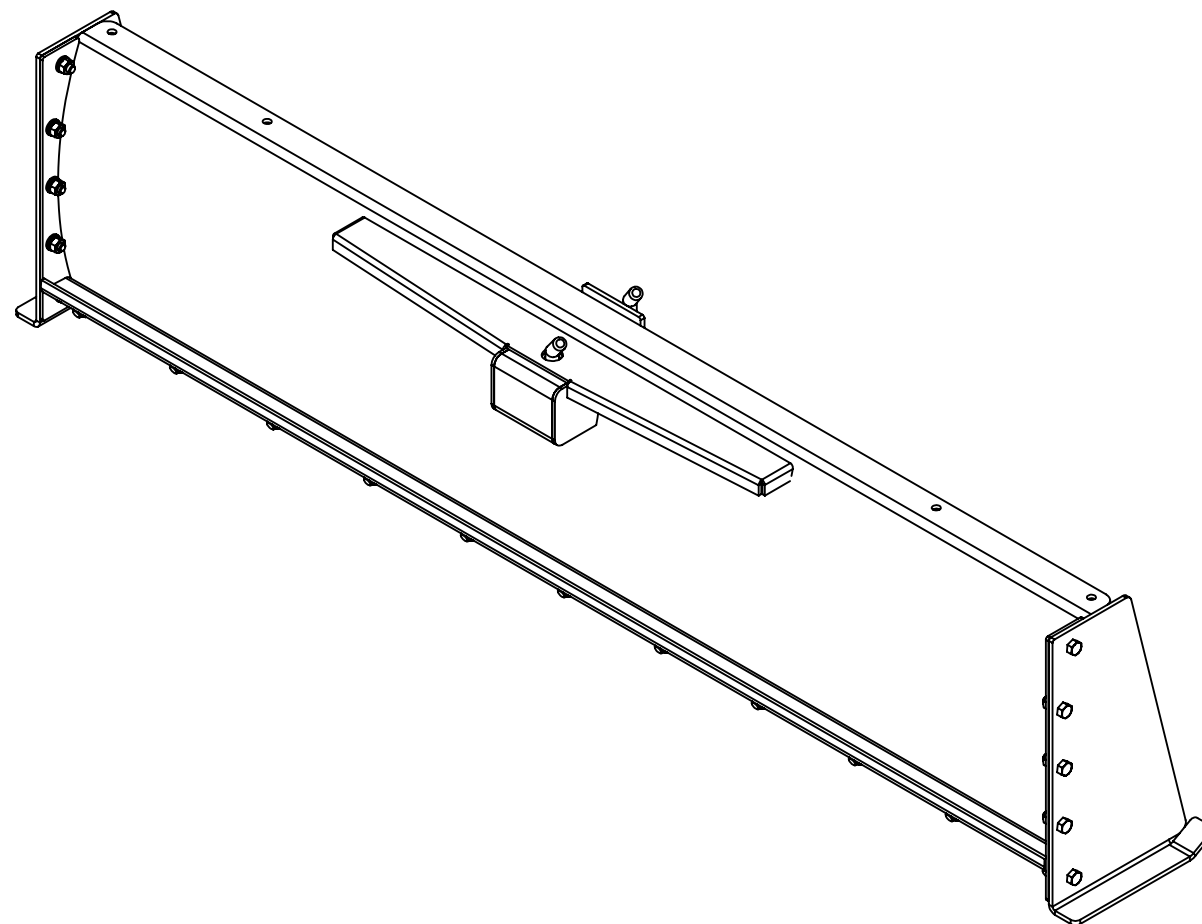


ITEM NO.	DESCRIPTION	1.25" Receiver Hitch Tube/QTY.
1	1.25" Hitch Tube Extension	1
2	HBOLT 0.6250-11x1.5x1.5-N	1
3	HNUT 0.6250-11-D-N	2



motoalliance

23001 Industrial Blvd, Rogers, MN 55374 / 1-866-527-7637
www.motoalliance.com - 411@motoalliance.com

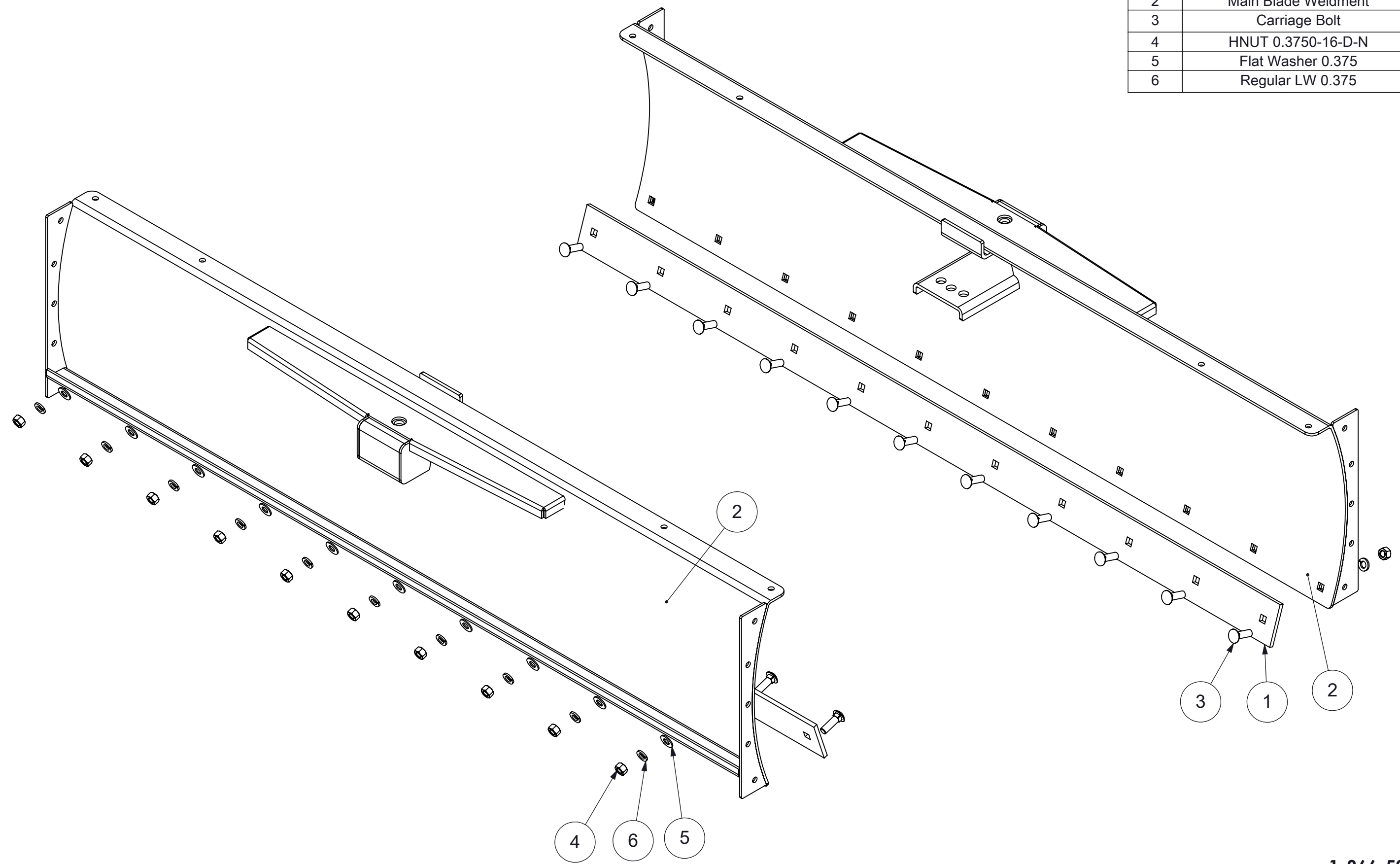


UPC 810541022931

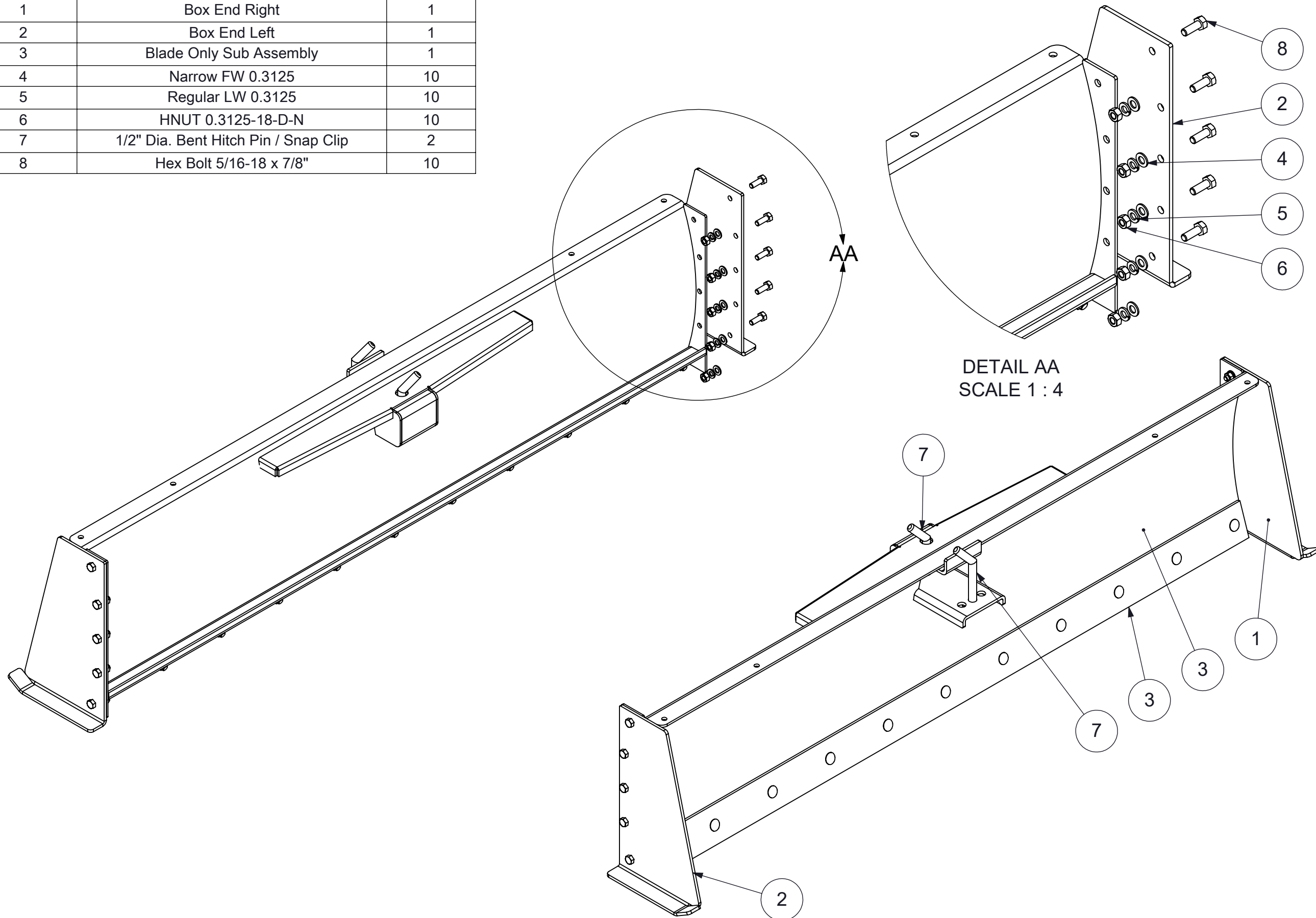
ITEM# IP4447 BK

DESCRIPTION: Impact® Pro - 52" Grading Blade w/Box Ends

ITEM NO.	DESCRIPTION	QTY.
1	Cutting Edge	1
2	Main Blade Weldment	1
3	Carriage Bolt	11
4	HNUT 0.3750-16-D-N	11
5	Flat Washer 0.375	11
6	Regular LW 0.375	11



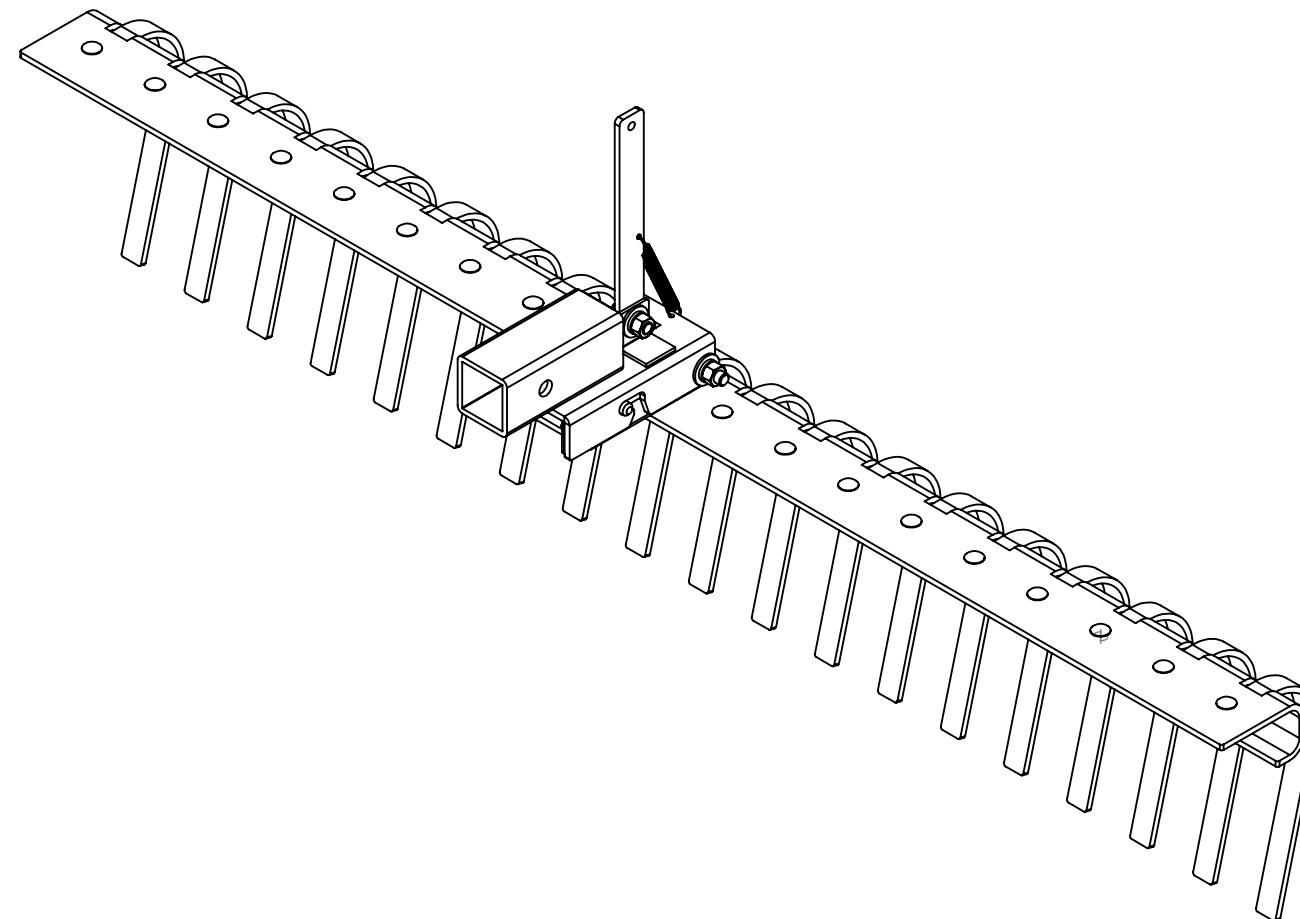
ITEM NO.	DESCRIPTION	QTY.
1	Box End Right	1
2	Box End Left	1
3	Blade Only Sub Assembly	1
4	Narrow FW 0.3125	10
5	Regular LW 0.3125	10
6	HNUT 0.3125-18-D-N	10
7	1/2" Dia. Bent Hitch Pin / Snap Clip	2
8	Hex Bolt 5/16-18 x 7/8"	10





motoalliance

23001 Industrial Blvd, Rogers, MN 55374 / 1-866-527-7637
www.motoalliance.com - 411@motoalliance.com

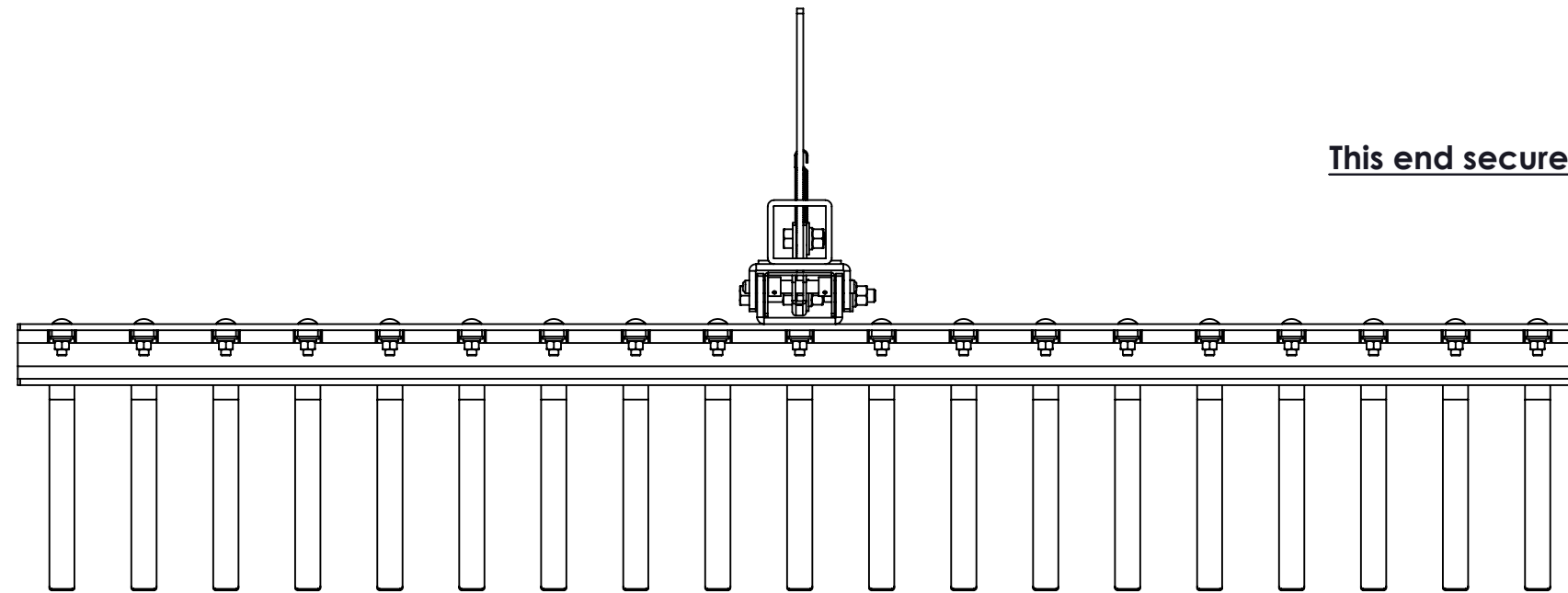
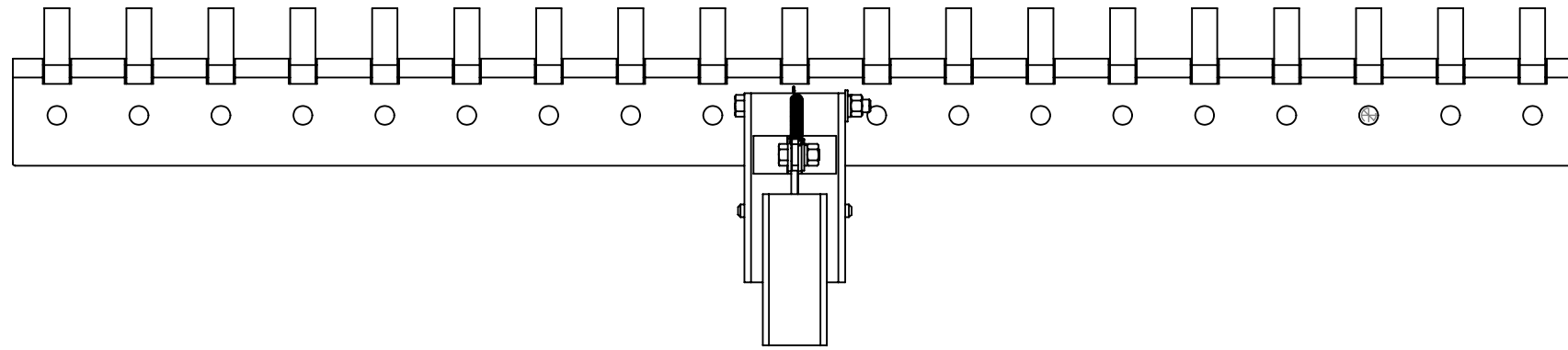


UPC 810541022948

ITEM# IP4456 BK

DESCRIPTION: Impact® Pro - 62" Landscape Rake w/Tip Latch

Note:
It is not recommended applying any grease or heavy lubricant to moving parts on the Landscape Rake. Grease and heavy lubricants will attract dirt and abrasive materials causing moving parts to wear.
We recommend that cleaning with pressure washer or garden hose to remove excess dirt and grim after each use.
To prevent rust afterwards apply a light coat of WD-40 and let dry.



This end secures to 1-Point Lift System

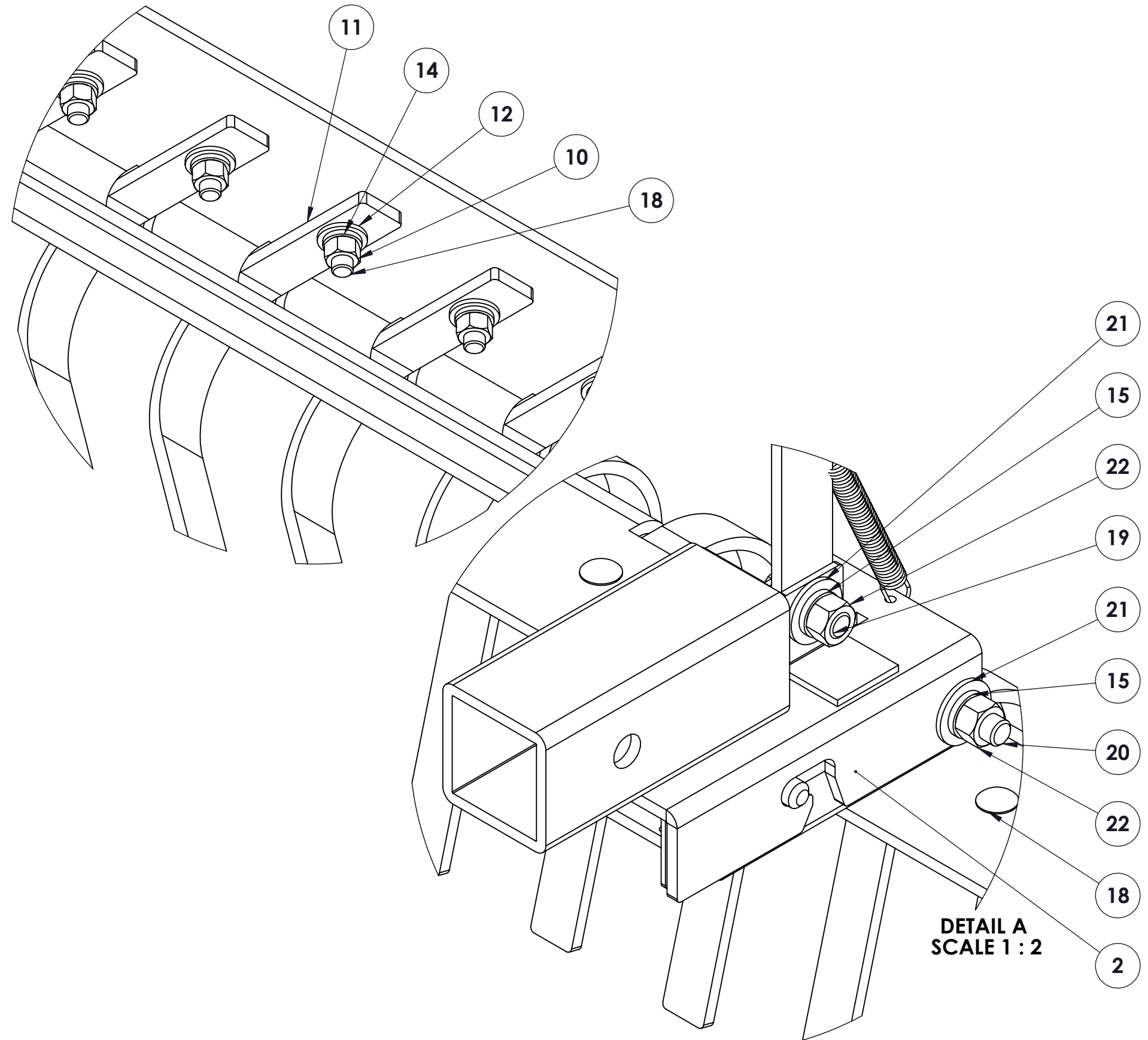
Trip Latch

Trip Spring

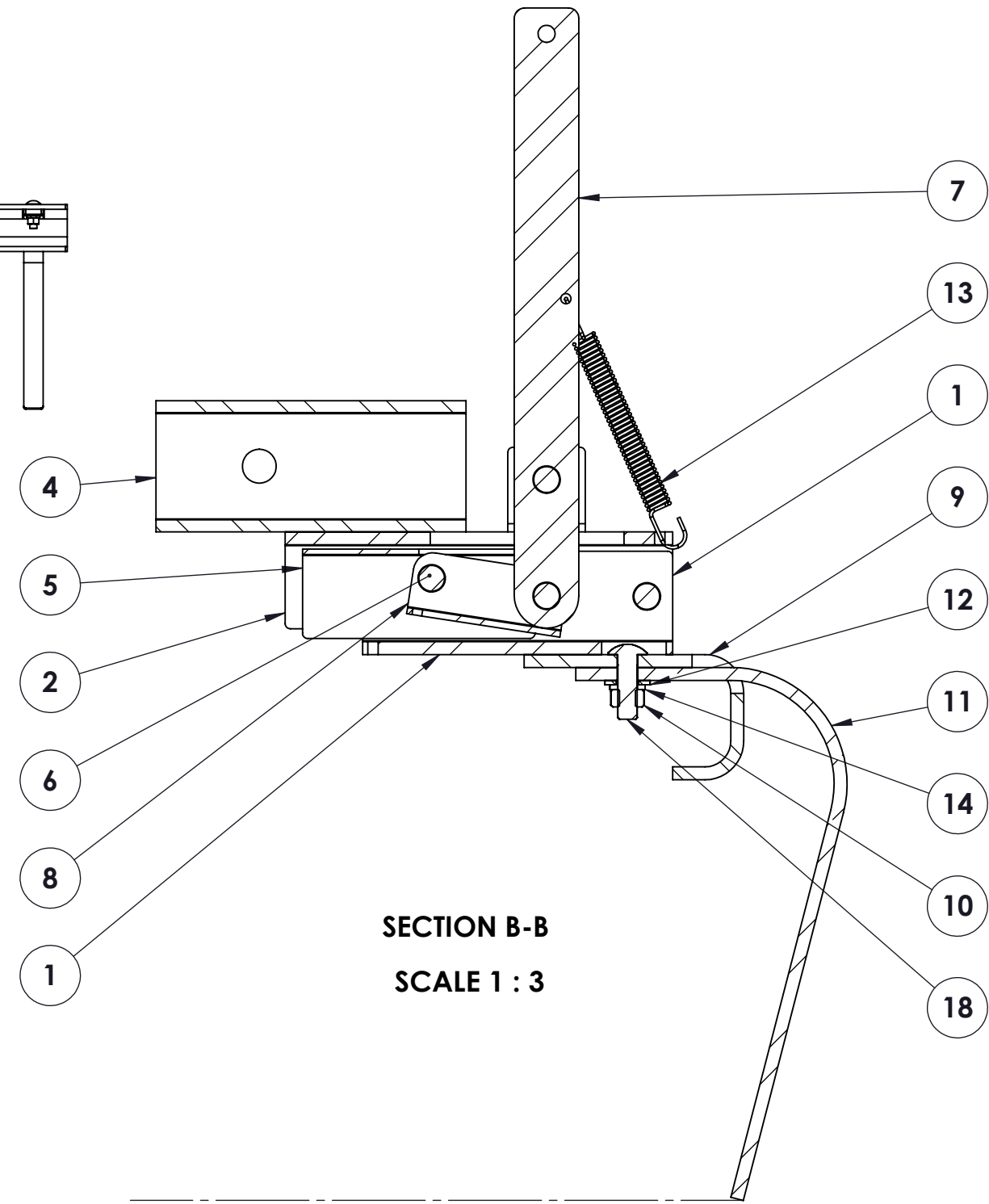
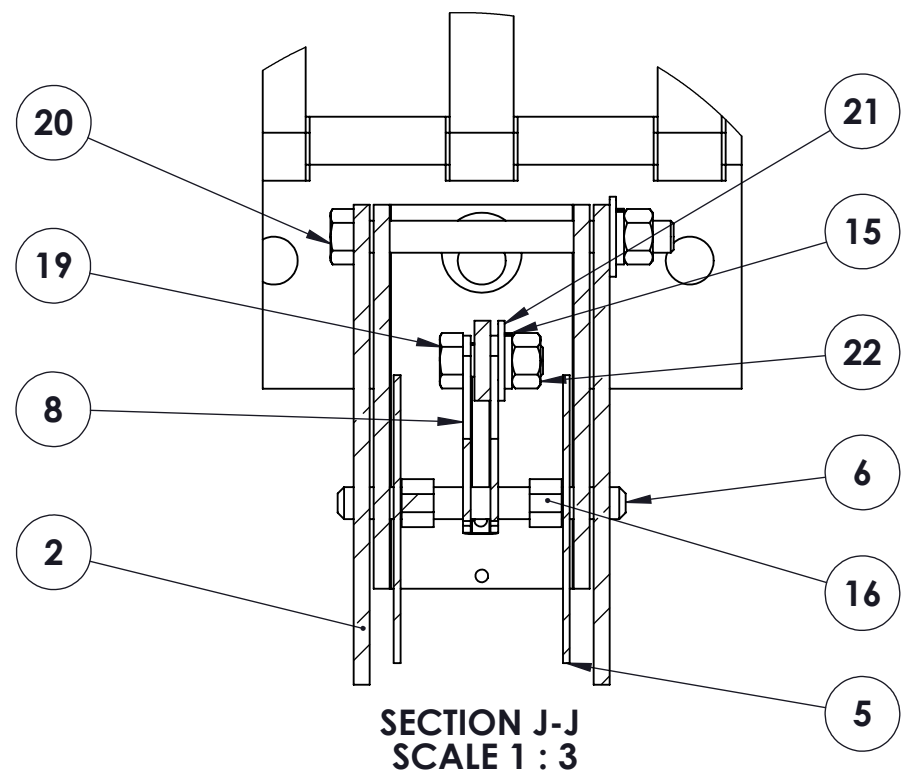
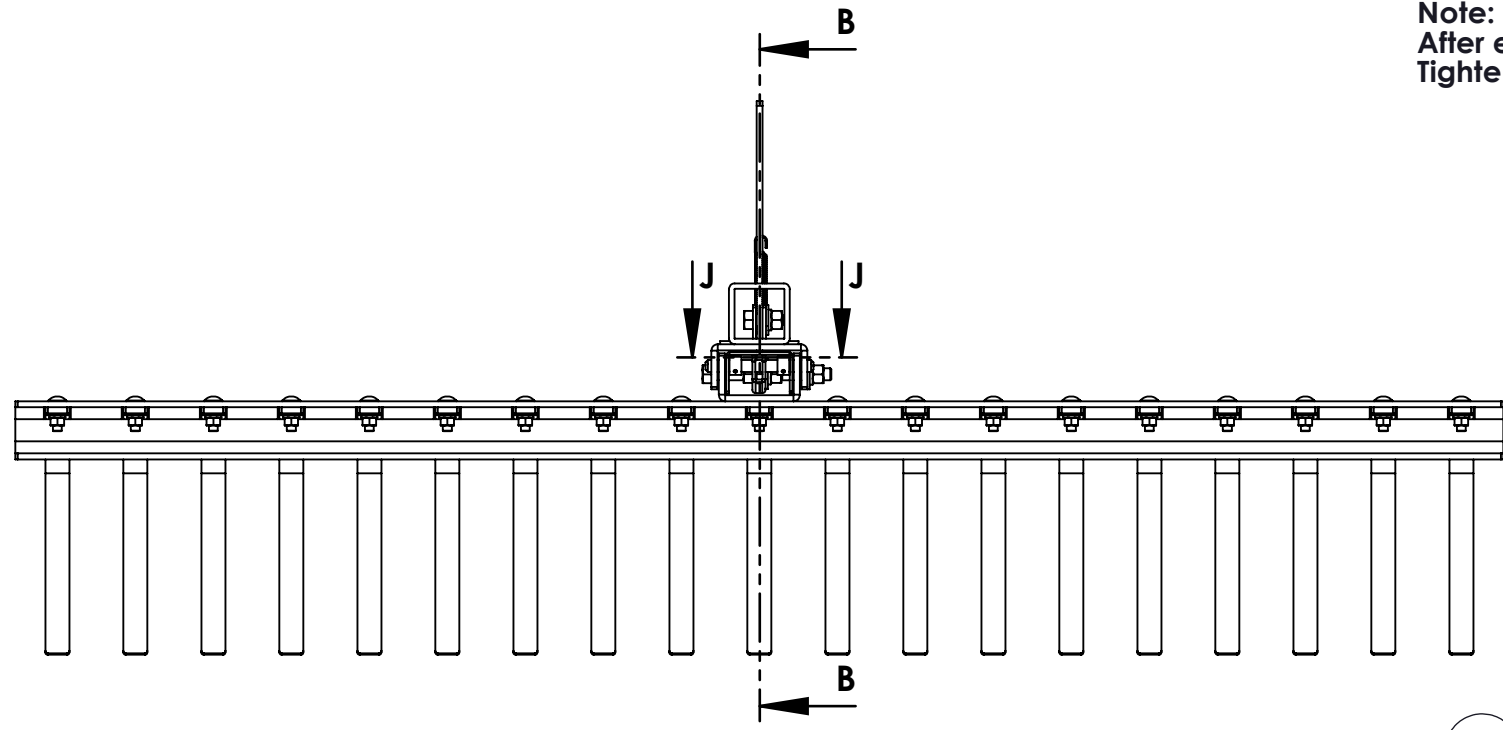
Rake Tine

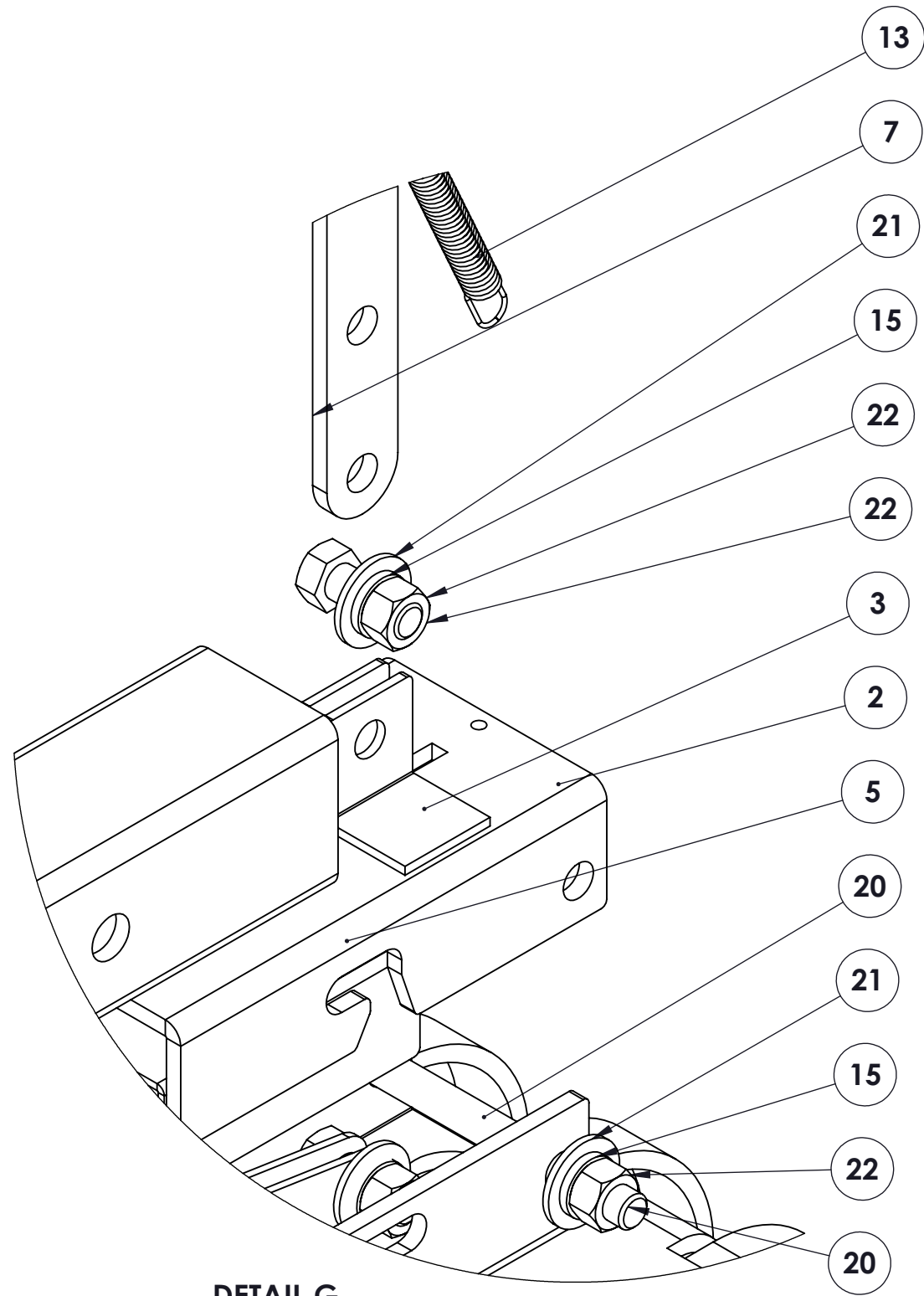
Note:
After each use check all hardware for any loose or damaged components.
Tighten if needed, replace all worn or damaged hardware or components prior to next use.

ITEM NO.	PART NUMBER	QTY.
1	Impact Pro Rake Bottom Bracket	1
2	Impact Pro Rake Top Bracket	1
3	Impact Pro Rake Handle Pivot Bracket	2
4	Impact Pro Rake Hitch Tube	1
5	Impact Pro Rake Lock Pin Saddle	1
6	Impact Pro Rake Lock Pin	1
7	Impact Pro Rake Trip Handle	1
8	Impact Pro LSR Trip Link	1
9	Impact Pro Rake Main Tool Bar	1
10	HNUT 0.3750-16-D-N	19
11	Impact Pro LSR Spring Tine	19
12	flat washer type a selected narrow_ai	19
13	Flat Washer 0.375	1
14	Regular LW 0.375	19
15	Regular LW 0.5	3
16	Impact Pro .50 8-32 Stop collar	2
17	socket set screw flat point_ai	2
18	Impact Pro .375-16 1.25 Carriage Bolt	19
19	HBOLT 0.5000-13x1.25x1.25-N	2
20	hex bolt_ai	1
21	Regular FW 0.5	3
22	HNUT 0.5000-13-D-N	3

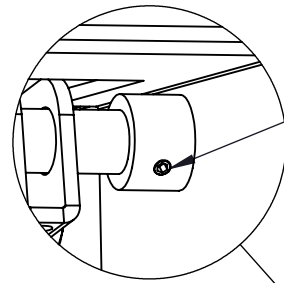


Note:
 After each use check all hardware for any loose or damaged components.
 Tighten if needed, replace all worn or damaged hardware or components prior to next use.



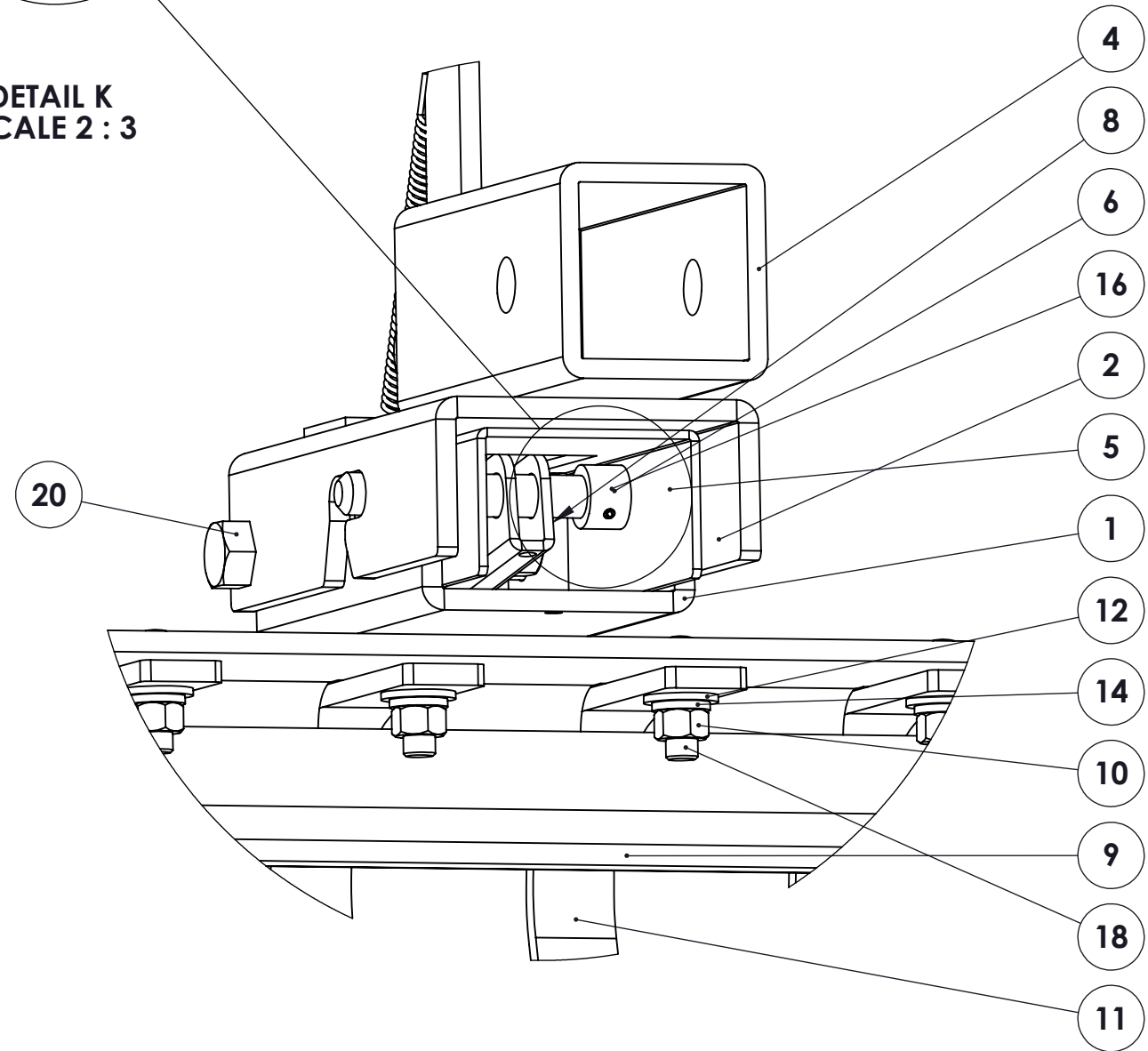


DETAIL G
SCALE 1 : 2



DETAIL K
SCALE 2 : 3

From time to time check these set screws to ensure they are tight.

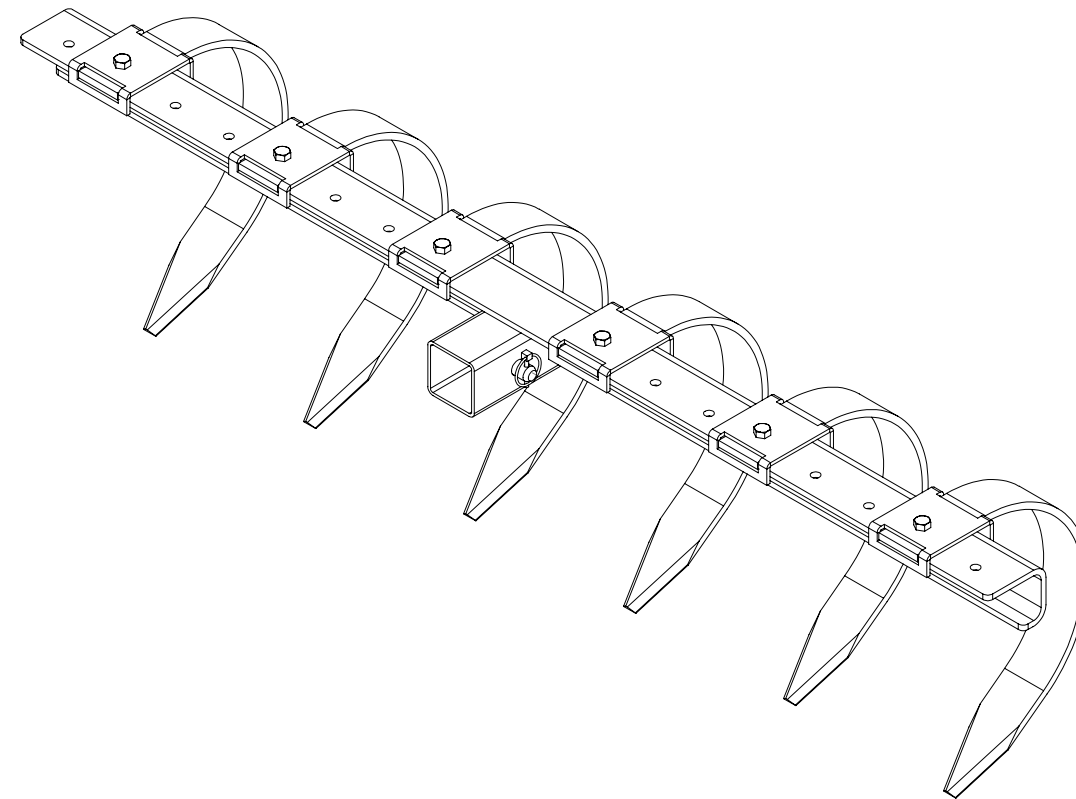


Note:
After each use check all moving parts for wear or damage, replace if worn or damaged prior to next use. Failing to do so could cause injury or damage to your tow vehicle.

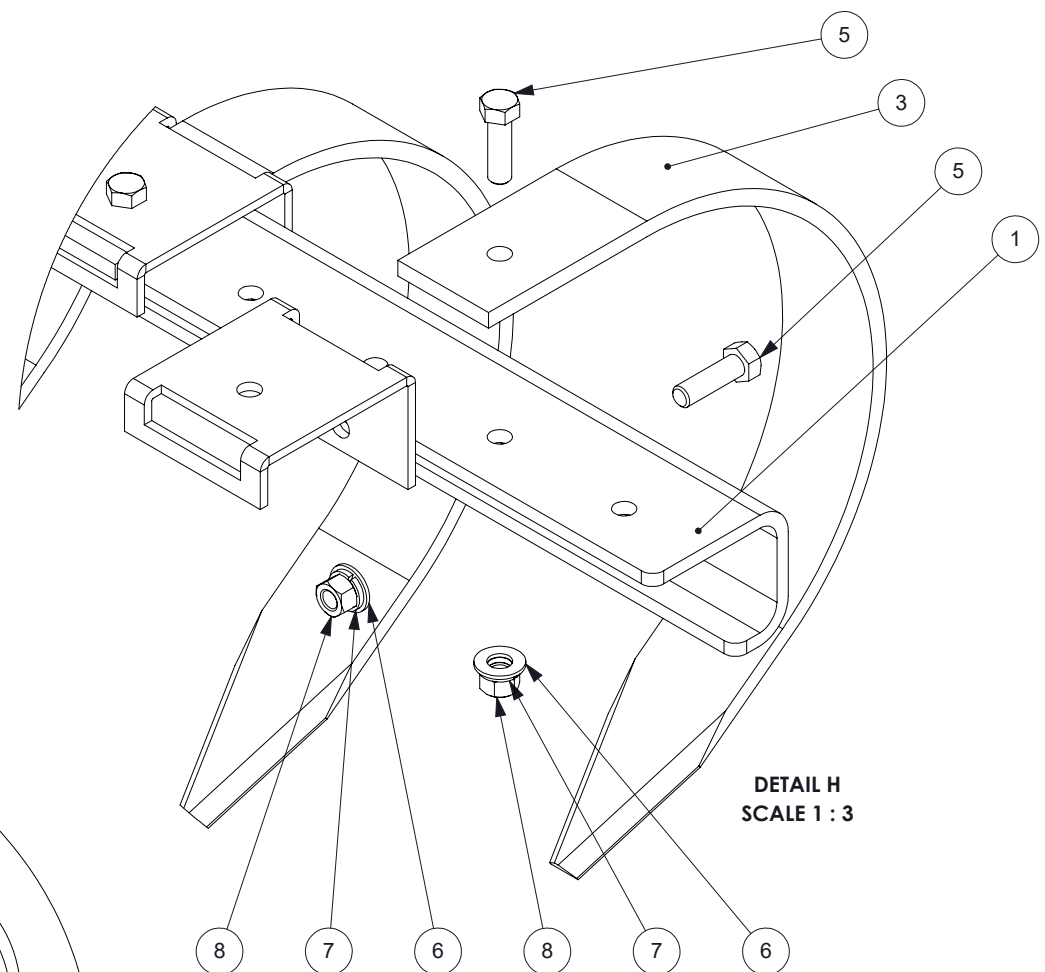
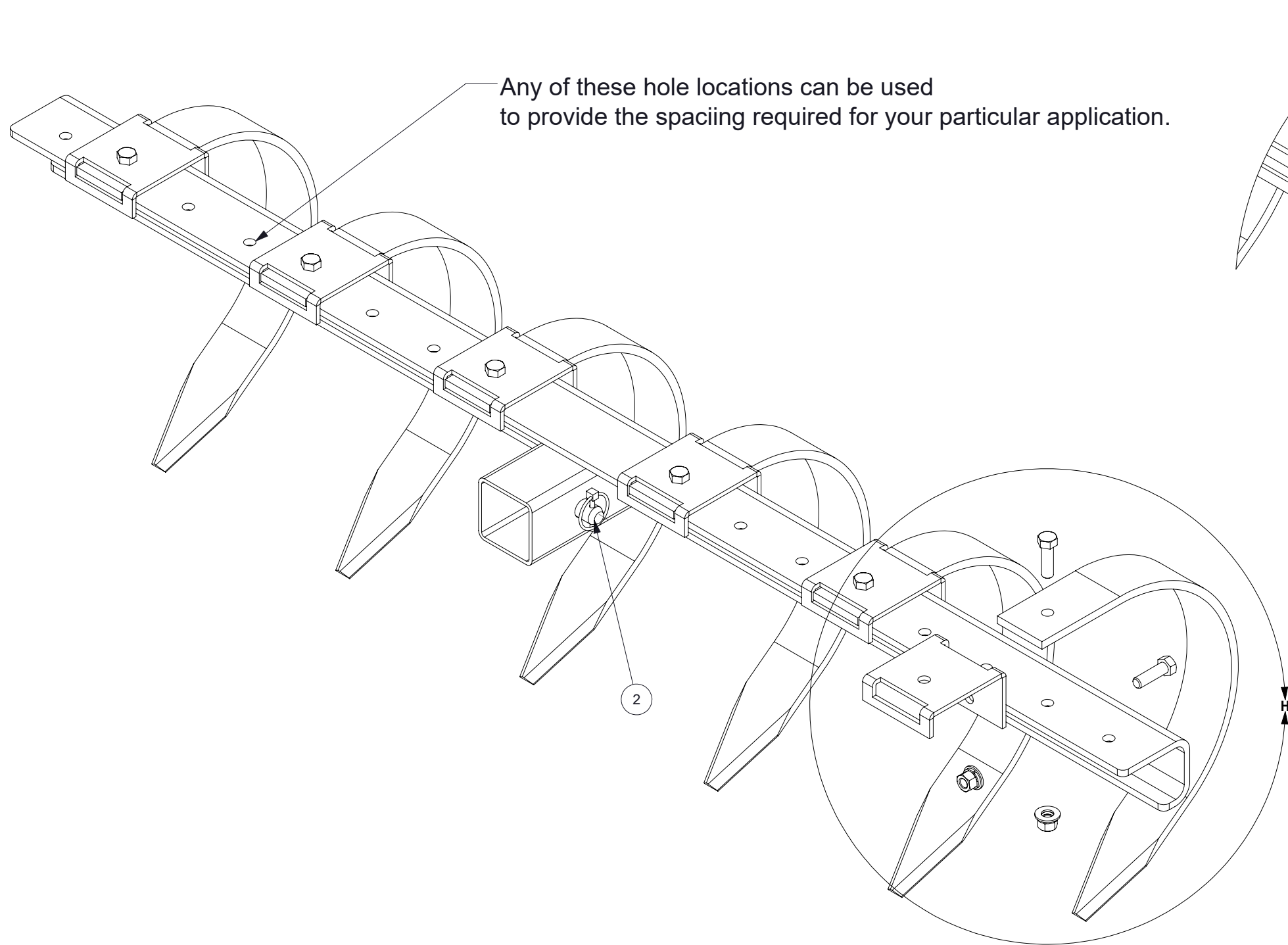


motoalliance

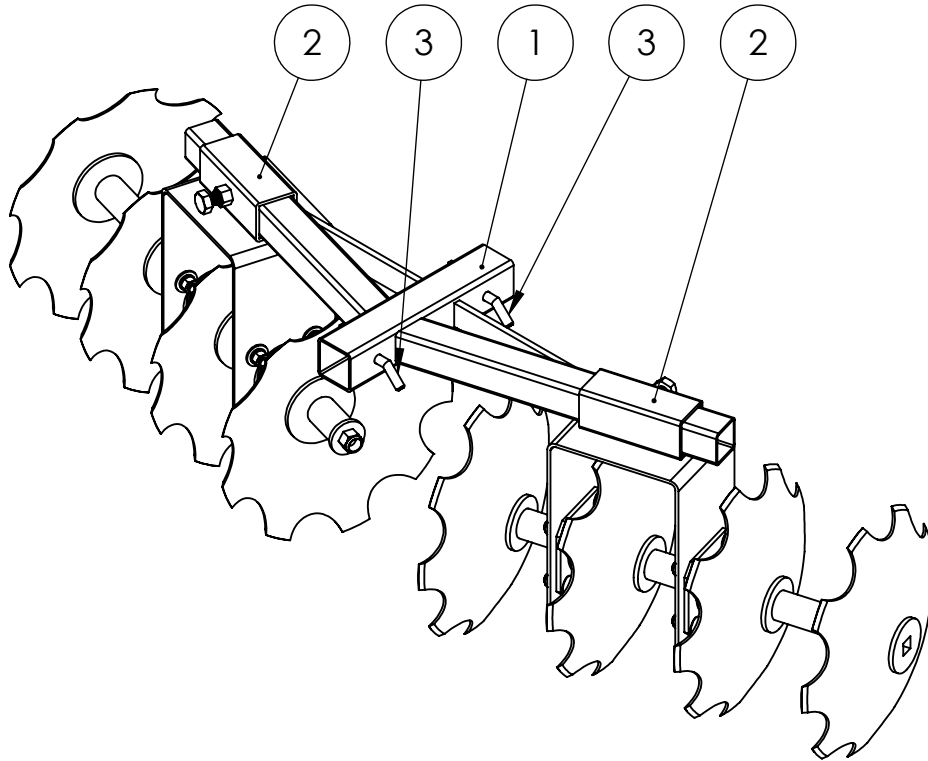
23001 Industrial Blvd, Rogers, MN 55374 / 1-866-527-7637
www.motoalliance.com - 411@motoalliance.com



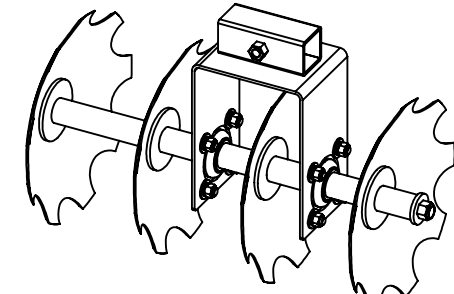
UPC 810541022917
ITEM# IP4420 BK
DESCRIPTION: Pro Series 50" Tine Plow



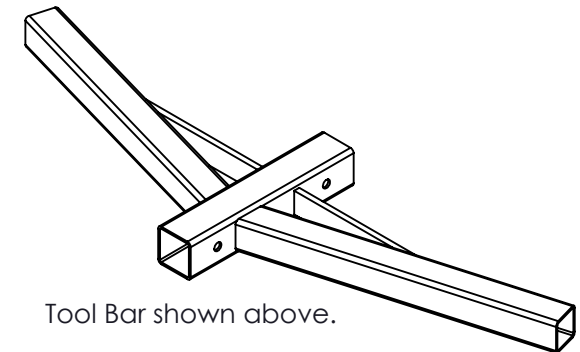
ITEM NO.	DESCRIPTION	QTY.
1	Plow Bar	1
2	5/8" Bent Hitch Pin / Snap Clip	1
3	Plow Tine	6
4	Plow Tine Top Bracket	6
5	HBOLT 0.3750-16x1.25x1-N	12
6	Preferred Narrow FW 0.375	12
7	Regular LW 0.375	12
8	HNUT 0.3750-16-D-N	12



ITEM NO.	PART NUMBER	DESCRIPTION	QTY.
1	Disk Plow Bar	Tool Bar	1
2	Disk Plow Half Section	Disc Plow Half Section	2
3	.50" Hitch Pin - With Spring Clip	1/2" Dia. Bent Hitch Pin / Snap Clip	2

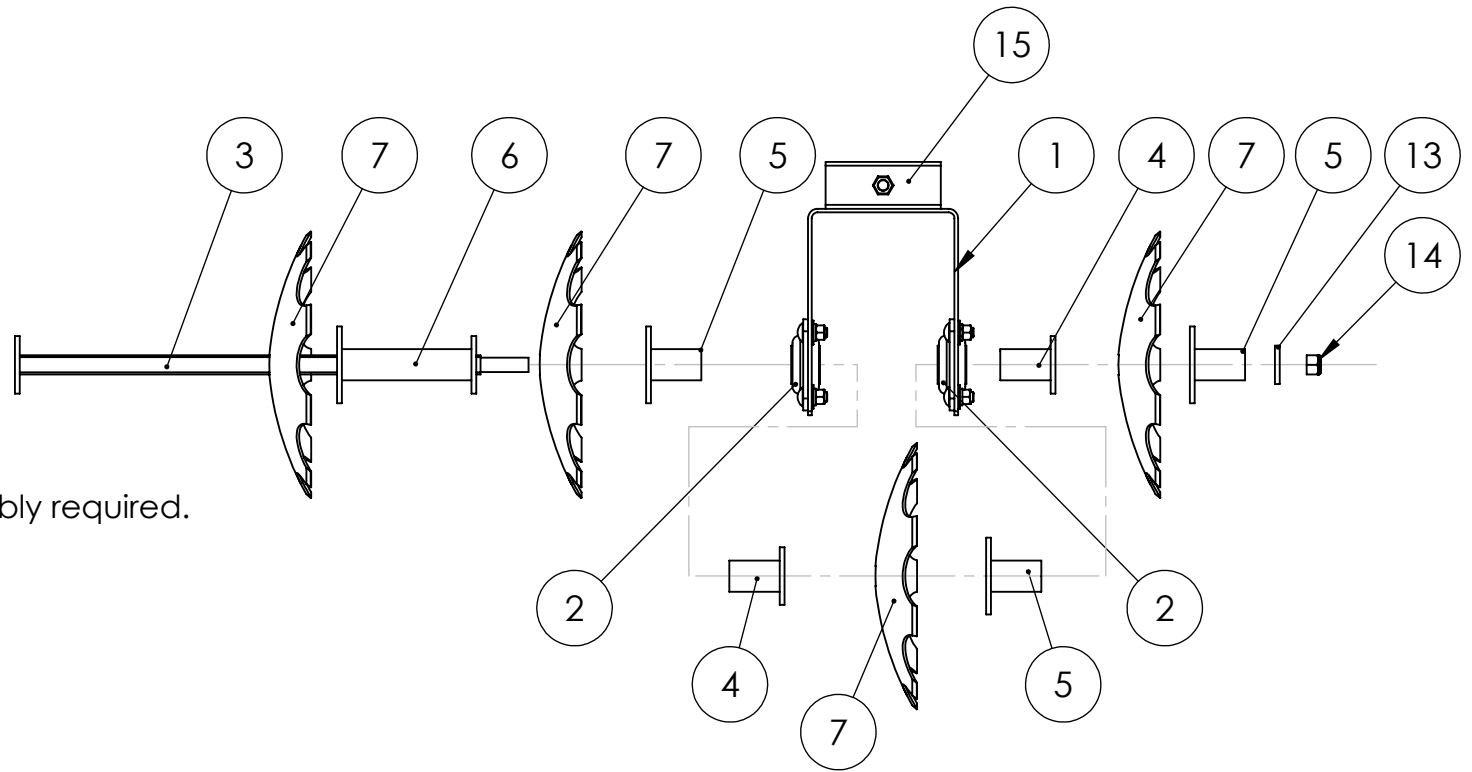
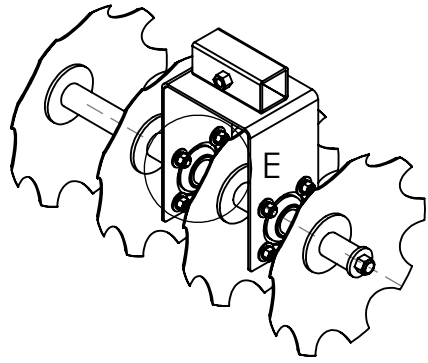


Note:
Two of the assemblies shown above will be required.
Assemble (2) prior to securing the
Disc Plow Half Sections to Tool Bar.



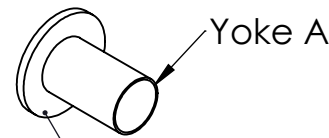
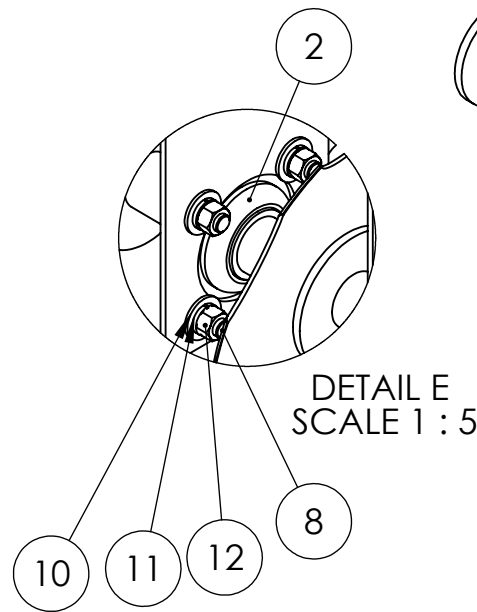
Tool Bar shown above.

All components for assembly come in Two (2) boxes.
Box "A" contain all main components.
Box "B" contains (8) Disc's.

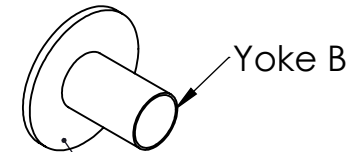


NOTE:
Only (1) of (2) Sections Shown.
Quantity (2) of the shown assembly required.

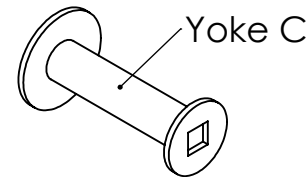
BOM Table		
ITEM NO.	PART NUMBER	QTY.
1	Plow Bearing Bracket	1
2	Flange Bearing	2
3	Disc Plow Axle	1
4	Yoke A	2
5	Yoke B	3
6	Yoke C	1
7	14 Disk Sqr	4
8	1/2-13 Carriage Bolt	8
10	1/2" Flat Washer	7
11	1/2" Lock Washer	8
12	1/2" Hex Nut	8
13	Axle Washer	1
15	Hitch Tube	1



Yoke "A" has a smaller size plate on end



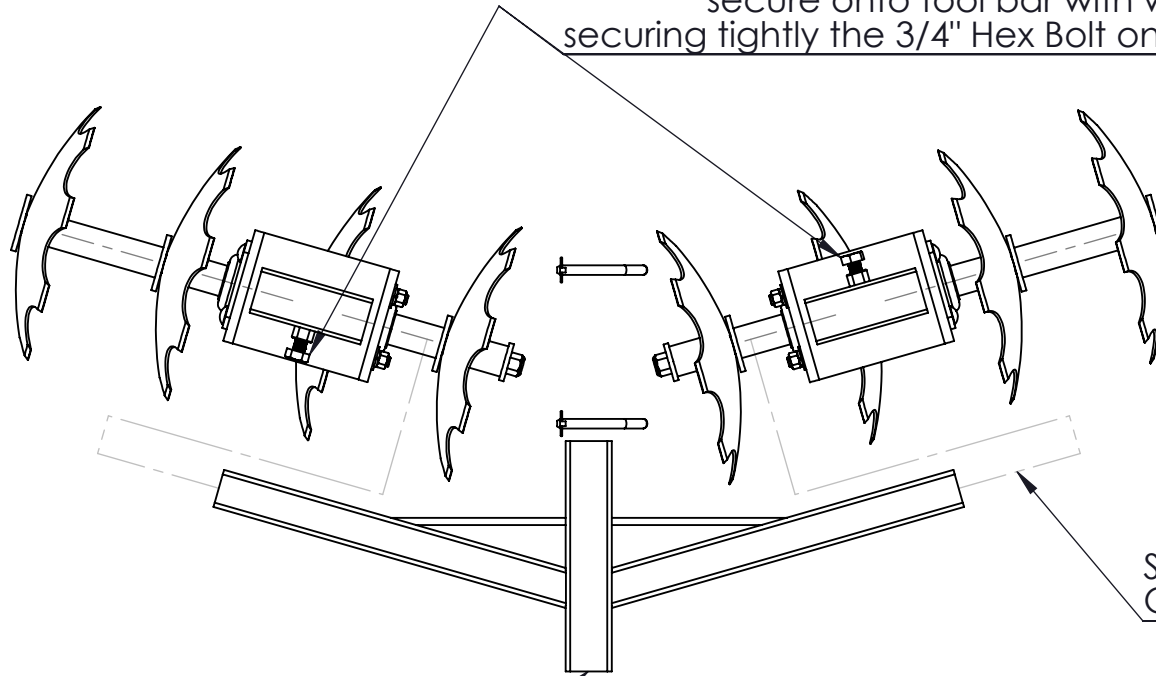
Yoke "B" has a larger size plate on end



UPC
MODEL #

DESCRIPTION: Disc Plow Half Section

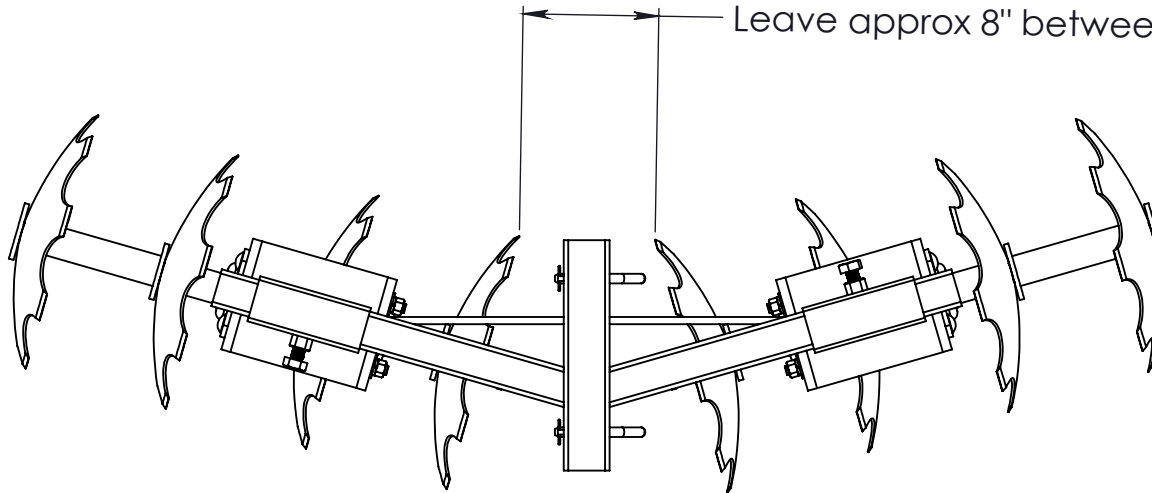
Once each section is in place
secure onto tool bar with wrench
securing tightly the 3/4" Hex Bolt onto the tool bar.



Slide Each Section Half Section
Over End of Tool Bar

This end secure to ATV

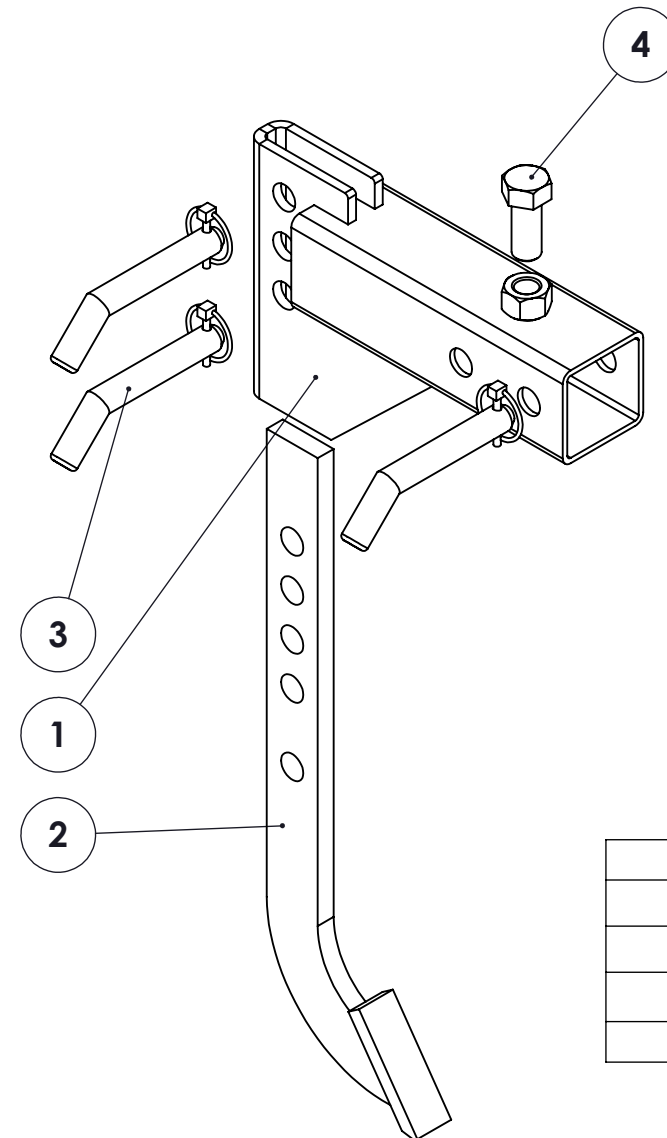
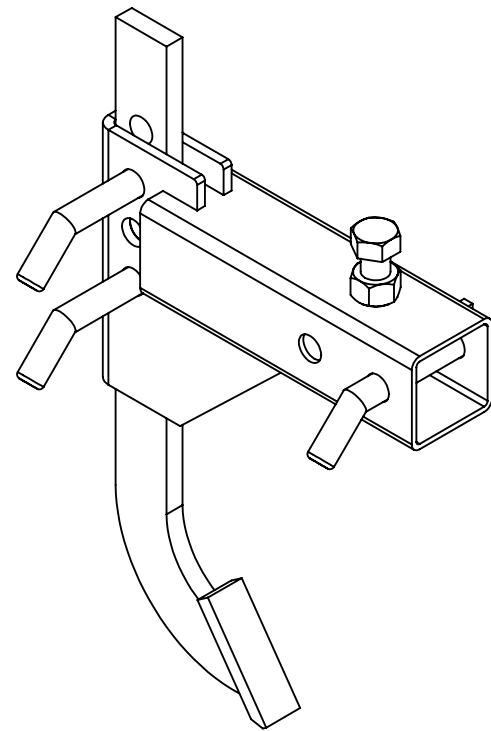
Leave approx 8" between assemblies prior to tightening.





motoalliance

23001 Industrial Blvd, Rogers, MN 55374 / 1-866-527-7637
www.motoalliance.com - 411@motoalliance.com



ITEM NO.	DESCRIPTION	QTY.
1	Receiver Bracket Assembly	1
2	Scarifier (Ship Loose)	1
3	5/8" Bent Hitch Pin with Keeper	3
4	HBOLT 0.6250-11x1.5x1.5-N	1

UPC 810541022979

ITEM# IP4490 BK

DESCRIPTION: Impact® Pro - Middle Buster