



INSTALLATION INSTRUCTIONS
POLARIS GENERAL 4
ROOF
PART # 88-1640

IMPORTANT NOTICES

READ AND UNDERSTAND THESE INSTRUCTIONS COMPLETELY BEFORE INSTALLATION TO AVOID INJURY TO YOURSELF, DAMAGE TO THE VEHICLE OR ACCESSORY.

- For proper installation, **TWO** people are required.
- Torque specifications must be followed when tightening bolts. Over-tightening any and/or all screws will cause cracks around mounting holes which is not covered by any warranty.
 - As specified on carton label, once protective film on shields is removed, product cannot be returned.
- As specified on carton label, damage caused by packaging staples is not covered by warranty. All staples must be removed prior to removing product from carton.
- Failure to follow these installation instructions completely may void any warrantable components and result in product damage or personal injury.
- Do not use Loctite or any other similar fastener adhesive. These types of products react to plastics and cause cracking. Not covered by any warranty.

DEALER

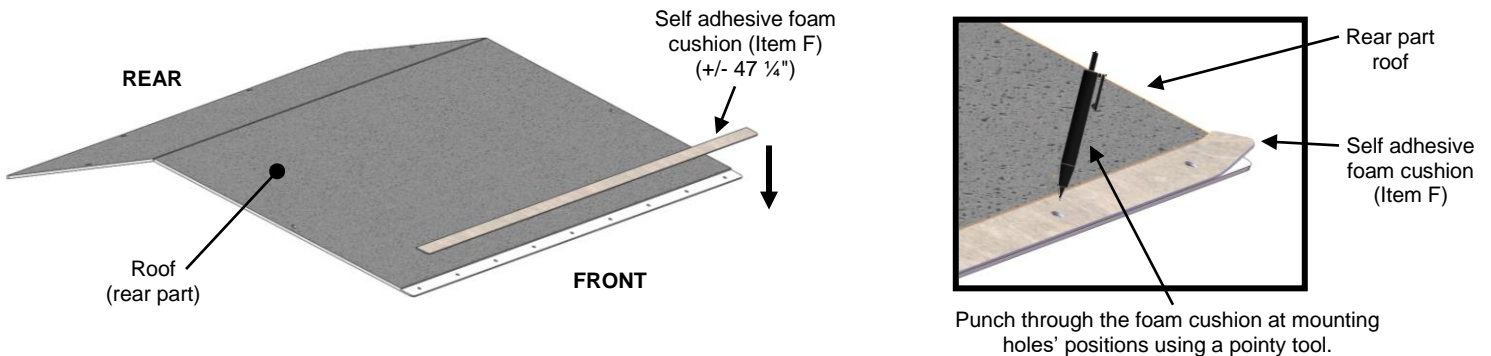
These instructions contain important information for future reference and must be given to the customer at time of purchase or upon completion of installation.

Parts List (parts available with kit only and not available separately)

ITEM	PART NAME	DESCRIPTION	QTY
A	Roof (front part)	CNC roof made of 3/16" thick high density polyethylene	1
B	Roof (rear part)	CNC roof made of 3/16" thick high density polyethylene	1
C	Roof (center part)	CNC roof made of 3/16" thick high density polyethylene	1
D	Roof brace	CNC cut-out made of 1/4" thick GE polycarbonate or equivalent	
E	Co-extruded bulb seal	Includes: 180" Co-extruded bulb seal [end user to cut to exact length]	1
INSTRUCTION BAG	F	Foam cushion Included: 96" of 1" x 1/16" self-adhesive foam cushion [end user to cut to exact length]	1
	G	Flop clamp set Includes: 4 flop clamps, 4 rubber strip pads 3/32" and 4 rubber strip pads 3/16"	1
	H	Nuts & bolts Includes: 10 metal plate hooks, 25 philips truss screws M6 x 20, 13 philips truss screws M6 x 24, 60 plastic washers M6, 22 locknuts M6 and 2 well-nuts M6	1
	I	Wet-nap Includes: wet-nap	2

1. Installation

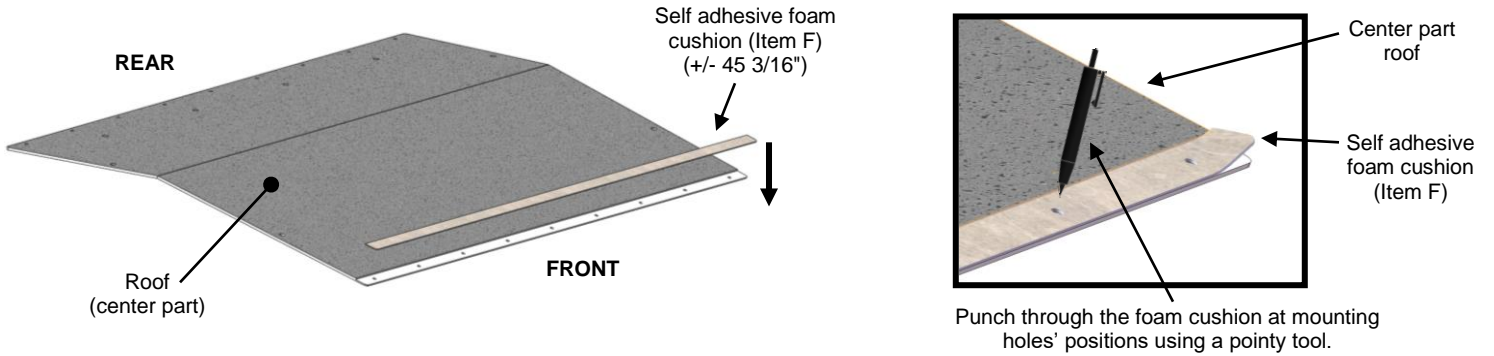
- a) Apply the self-adhesive foam cushion (Item F) to the front side of the rear part roof (Item B) as shown. For proper installation, the roof must be free of any dust or any other contamination. Using a pen, screwdriver or any other similar pointy tool, pierce through the foam cushion using the rear roof mounting holes as guides (9 locations).



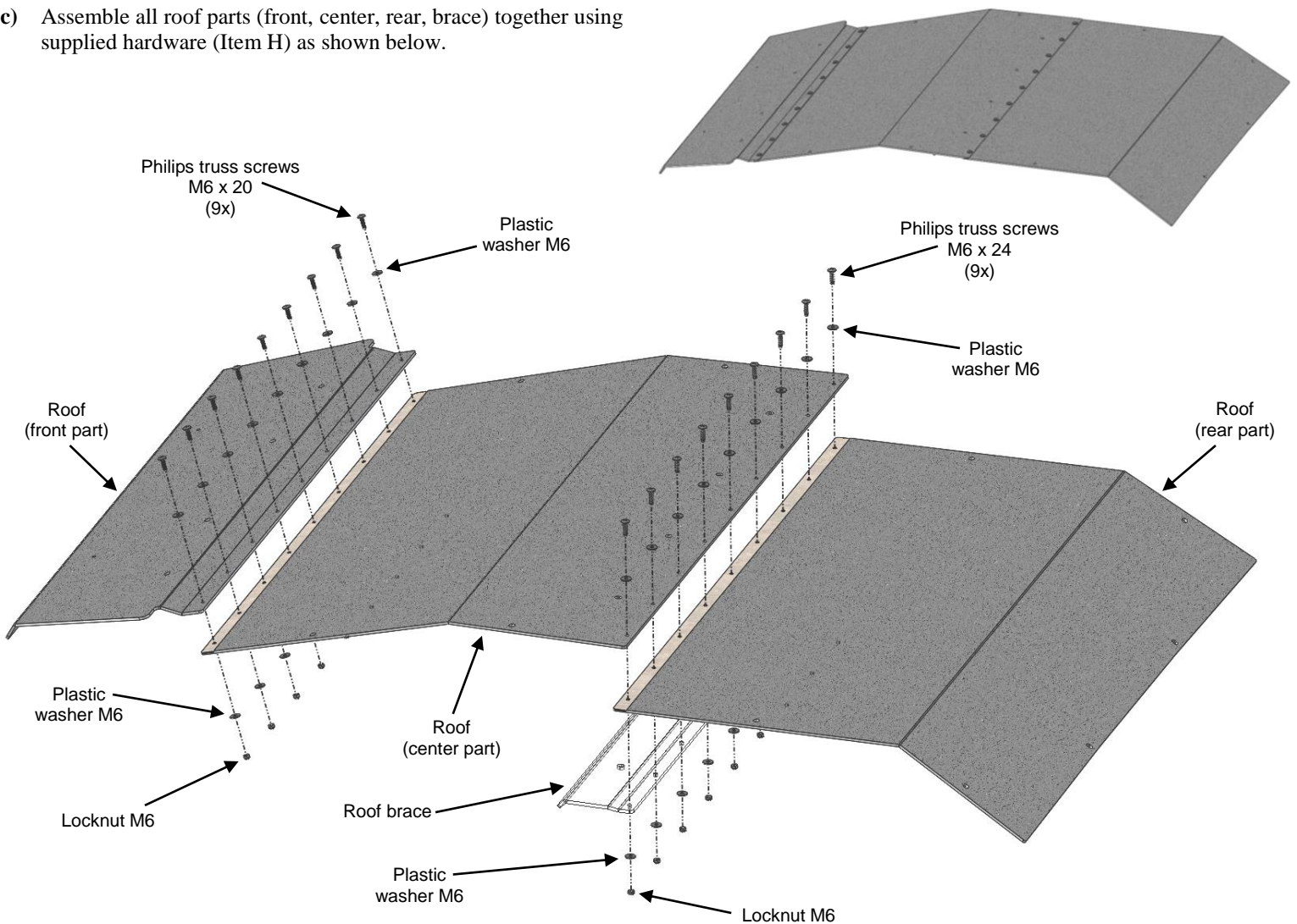
IMPORTANT NOTICES

Over-tightening any and/or all screws will cause cracks around mounting holes which is not covered by any warranty.

- b) Apply the self-adhesive foam cushion (Item F) to the front side of the center part roof (Item C) as shown. For proper installation, the roof must be free of any dust or any other contamination. Using a pen, screwdriver or any other similar pointy tool, pierce through the foam cushion using the rear roof mounting holes as guides (9 locations).



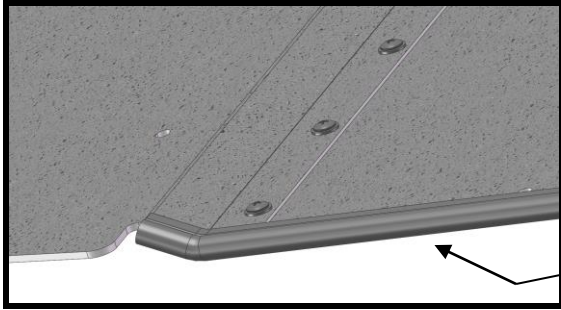
- c) Assemble all roof parts (front, center, rear, brace) together using supplied hardware (Item H) as shown below.



IMPORTANT NOTICES

Over-tightening any and/or all screws will cause cracks around mounting holes which is not covered by any warranty.

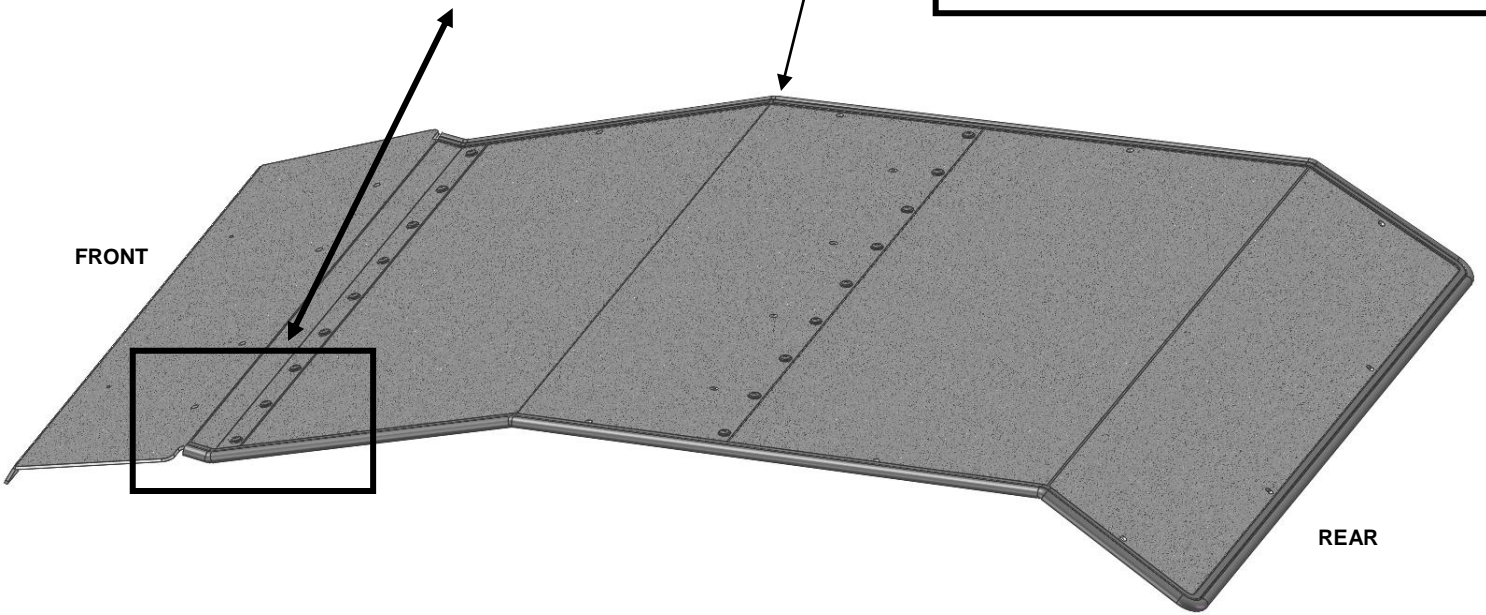
- d) Find a clean flat area where you can safely lay down the assembled roof and apply the co-extruded bulb seal (Item E) as shown below using manual pressure to ensure good adhesion and cut any excess.



Co-extruded bulb seal 1/4" (+/- .175")



Wet the edge of the shield or roof with the wipes provided, so bulb seal slips on to the edge of the product easily.



FRONT

REAR

- e) **Verify "Rubber strip" chart.** If required, peel and stick the rubber strips to clamps (Items G) as shown below. Different thicknesses of rubber strips are supplied with the clamp kits in order to fit multiple tube sizes. Make sure that the proper one is used. See chart indicating which rubber strip to use for the different tube sizes. **The roll-cage tube size of your vehicle is 1 3/4".**

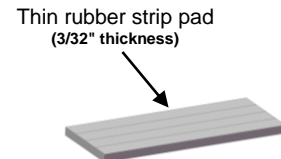
RUBBER STRIP SELECTOR CHART	
ROLL BAR / ROPS DIAMETER	RUBBER STRIPS TO INSTALL
2" (2.000")	Not applicable
1 7/8" (1.875")	3/32" (0.094")
1 3/4" (1.750")	3/16" (0.188")



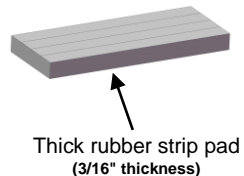
1st step
Open clamps



2nd step
Peel & stick rubber strips to clamp



Thin rubber strip pad
(3/32" thickness)

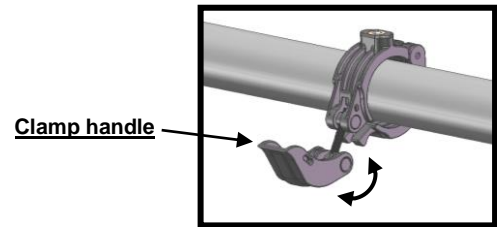
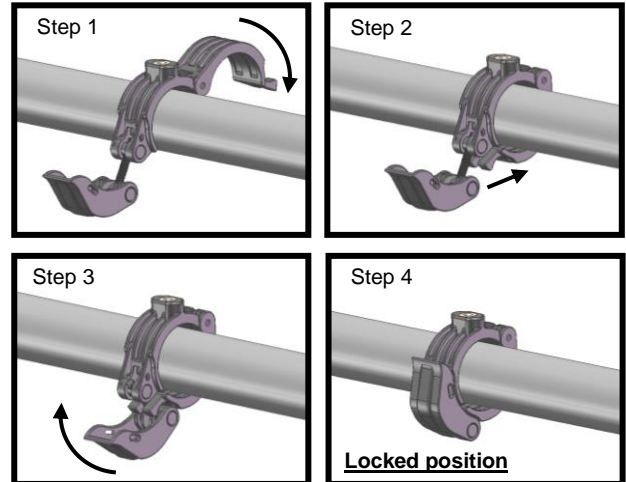
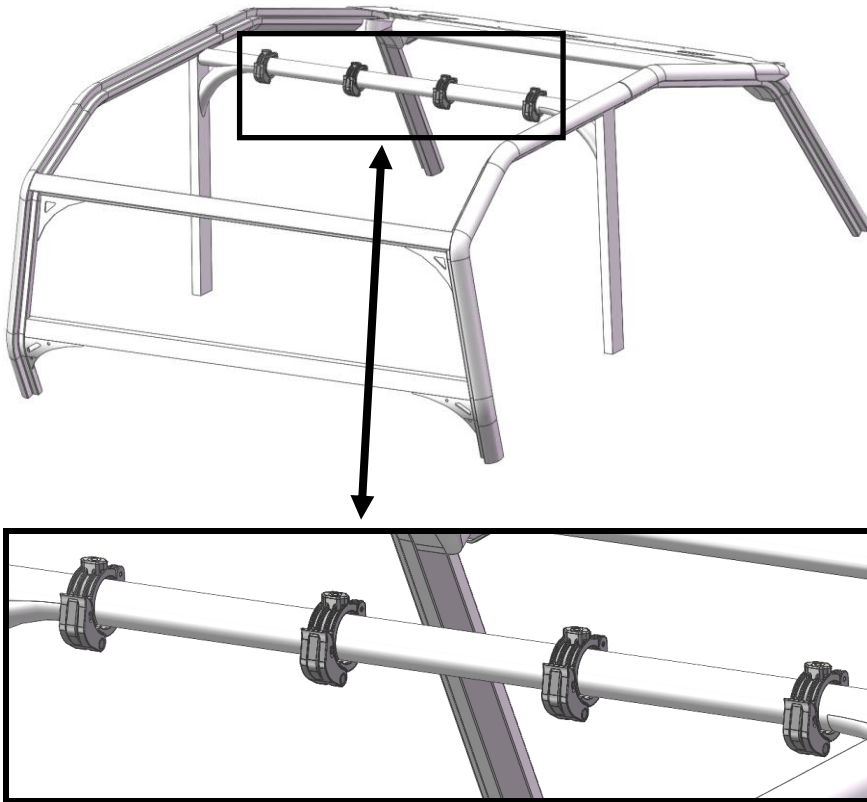


Thick rubber strip pad
(3/16" thickness)

IMPORTANT NOTICES

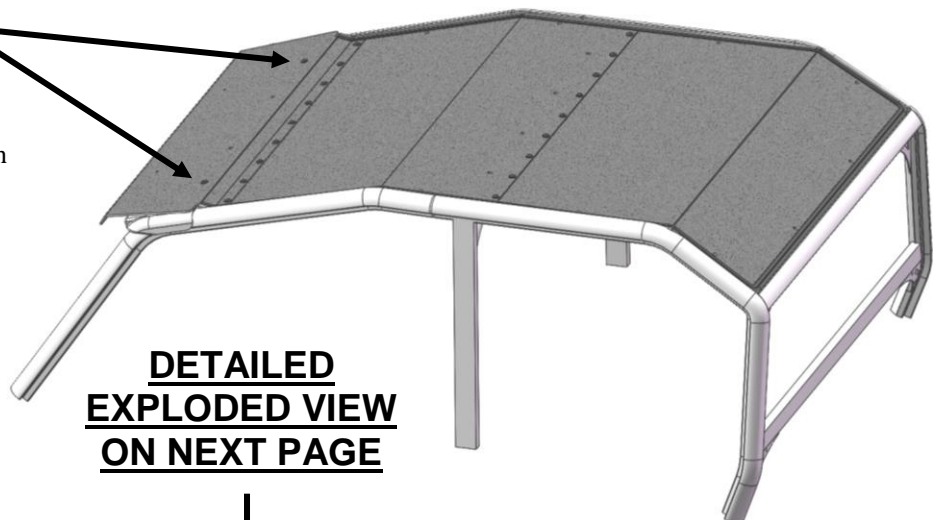
Over-tightening any and/or all screws will cause cracks around mounting holes which is not covered by any warranty.

- f) Attach the flop clamps to the roll-cage as shown below and pre-adjust tightening tension of all clamps. **NOTE: Keep all clamp handles open as shown in step 3 below; this will allow you to move the clamps left or right when installing the roof for the first time.**



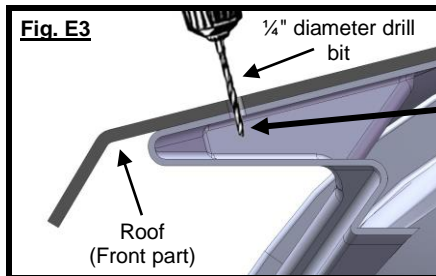
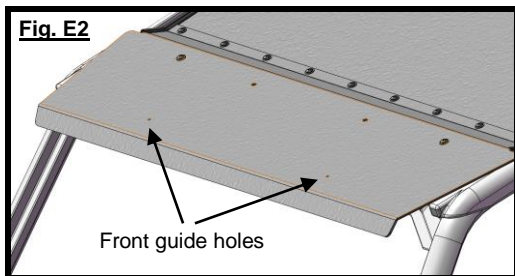
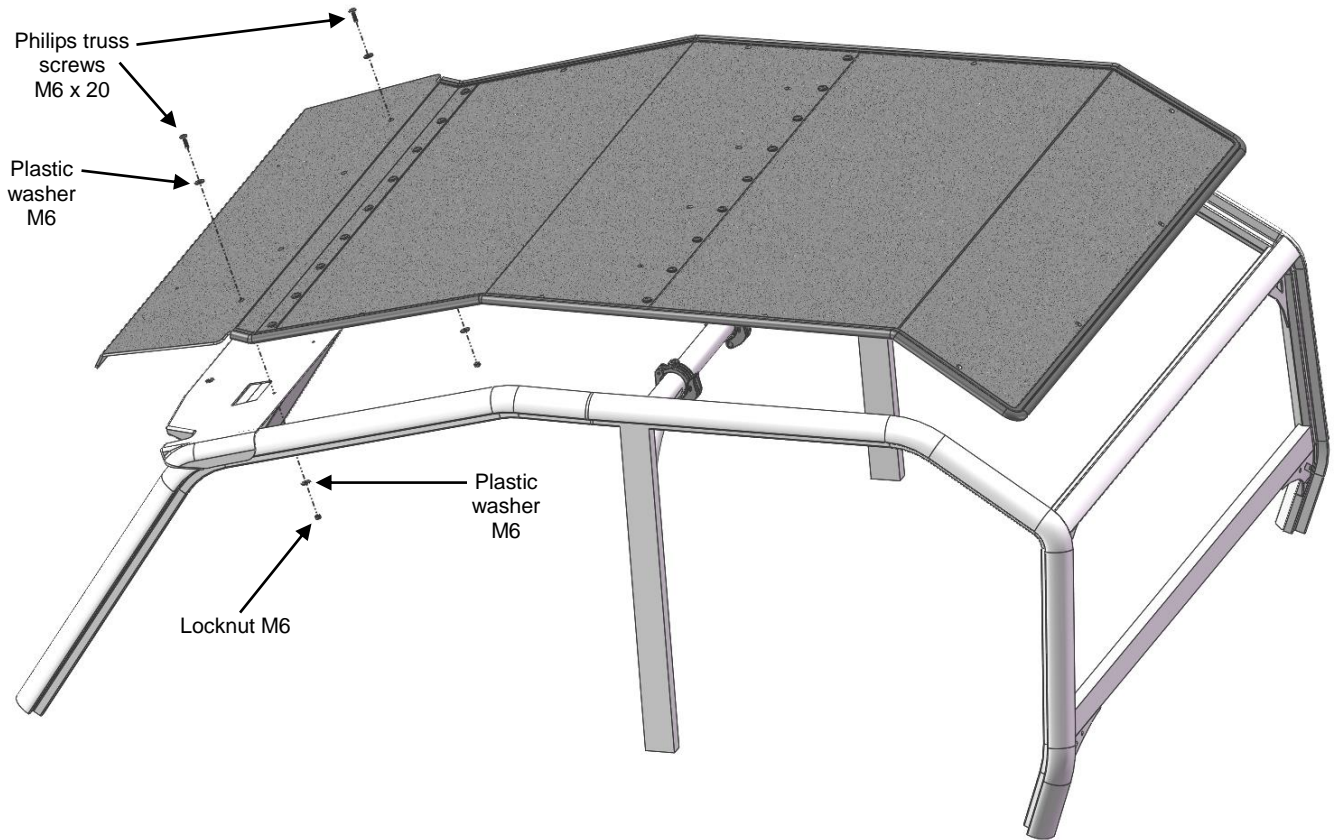
To apply more or less tension to the roll cage, simply rotate the clamp handle from the tension screw as shown below. Over tightening clamps to roll-cage could cause parts failures.

- g) Temporarily install the roof to the vehicle and secure to the OEM front visor using 2 supplied screws, nuts and washers (Item H) as shown beside and on next page. Adjust the position of the roof and the flop clamps. As per fig. E2 & E3, drill 2 mounting holes of 1/4" diameter through the first layer of the OEM front visor using the front roof mounting holes as guides. **Caution: only the first layer of the OEM front visor must be drilled.**



IMPORTANT NOTICES

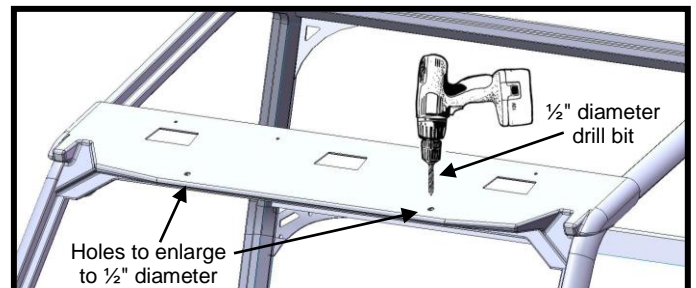
Over-tightening any and/or all screws will cause cracks around mounting holes which is not covered by any warranty.



CAUTION!!
Drill only the first layer of the OEM front visor

- h) Before completing the roof installation, the 2 holes that have been drilled on the OEM front visor at the previous step need to be enlarged to a diameter of 1/2". To achieve this operation, the roof must be temporarily removed.

Caution: only the first layer of the OEM front visor must be drilled.

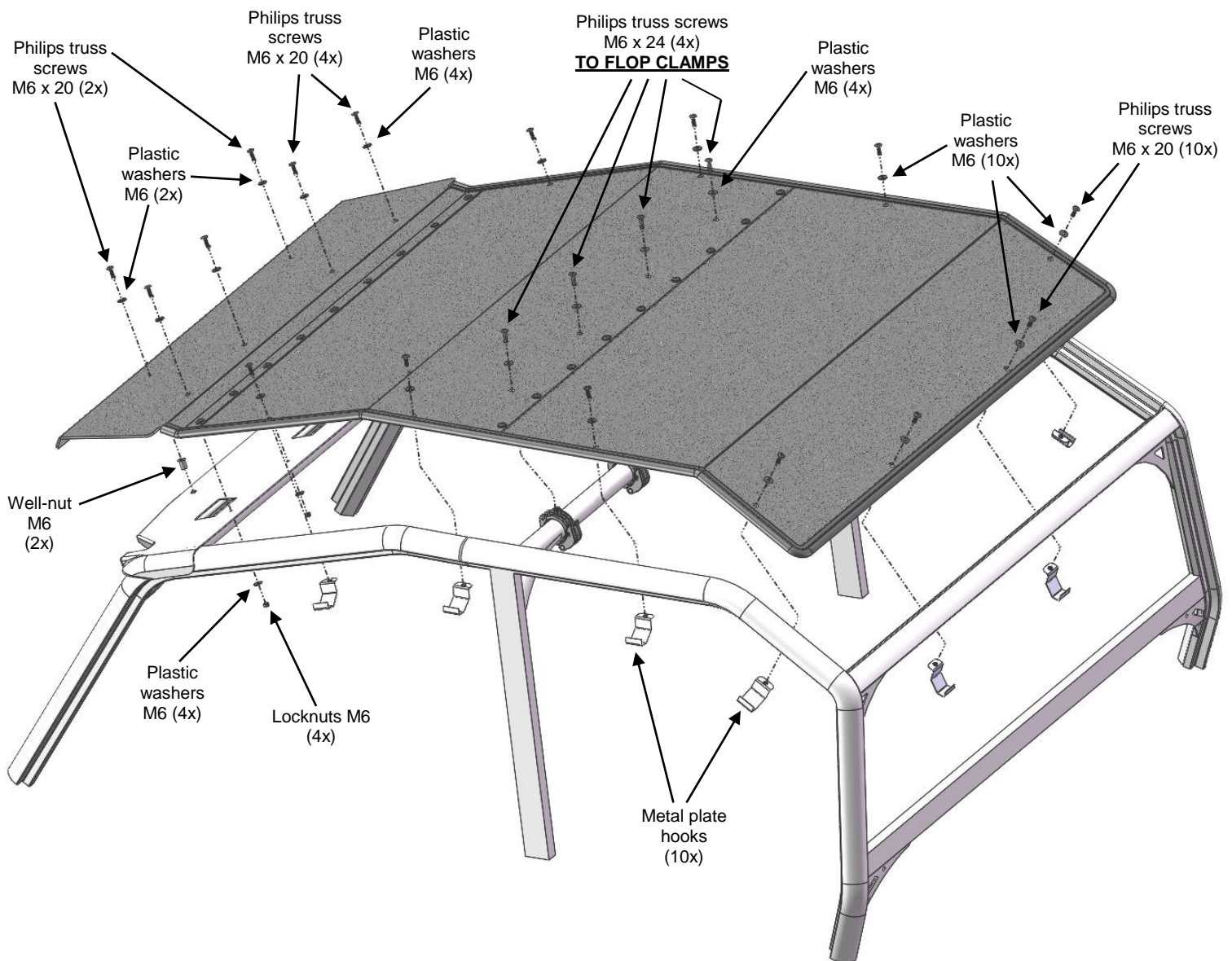
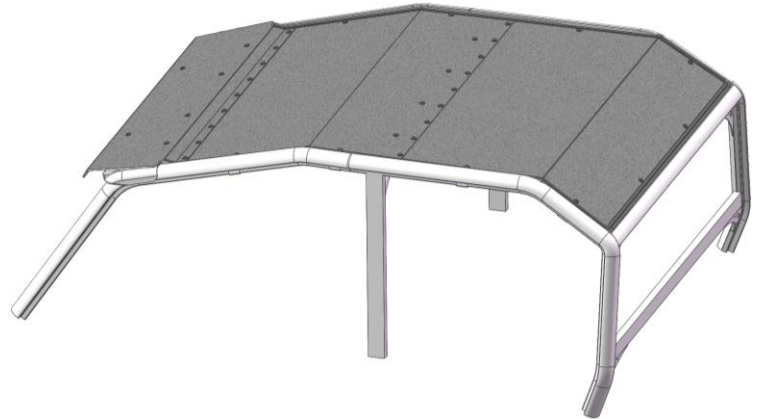


IMPORTANT NOTICES

Over-tightening any and/or all screws will cause cracks around mounting holes which is not covered by any warranty.

- i) Install the roof to the vehicle using supplied hardware (Item H) as shown below. Adjust the position of the roof and tighten. Secure all clamps in locking position [Ref: Step 4 - section f]

Caution: over tightening any hardware could cause irreversible damage to the roof.



2. Maintenance and Care

Tighten all hardware after first use and periodically thereafter.