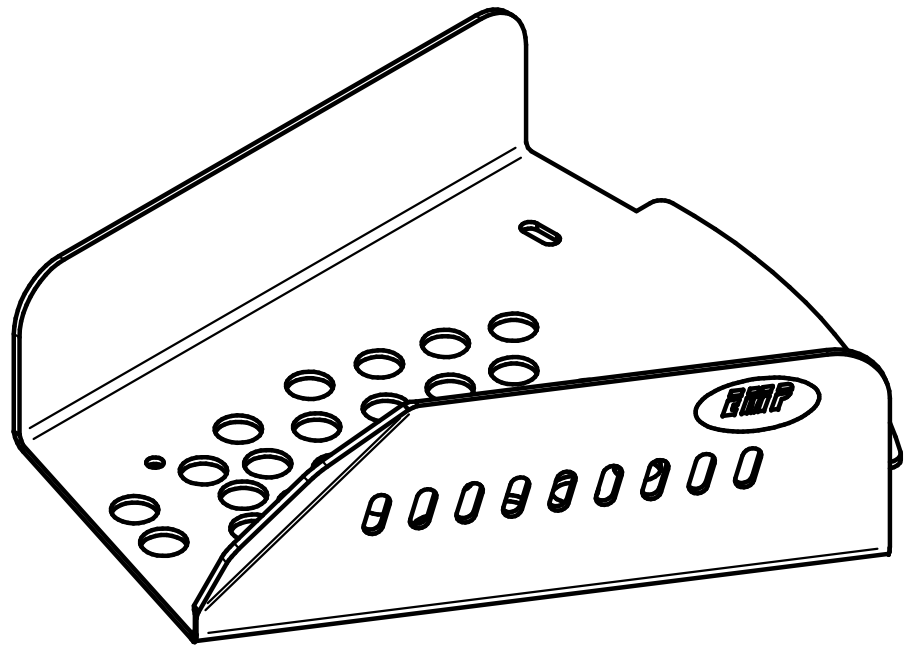
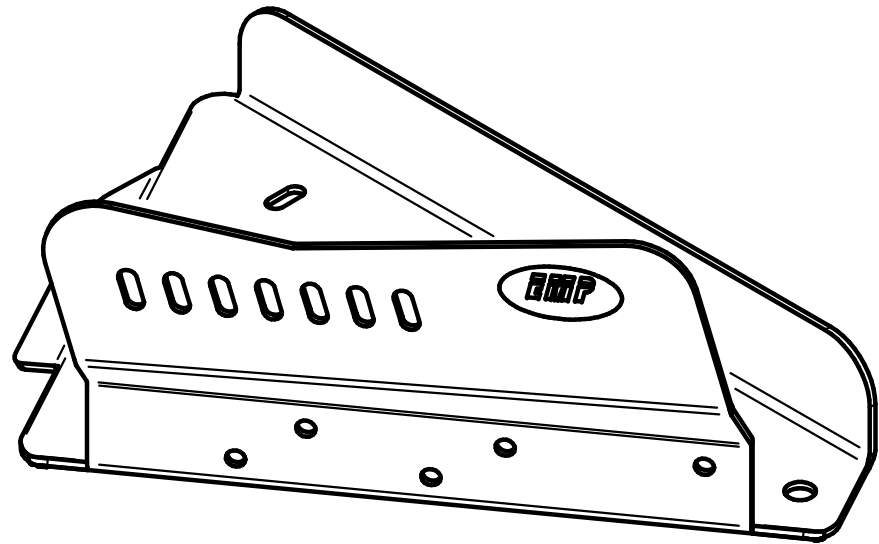
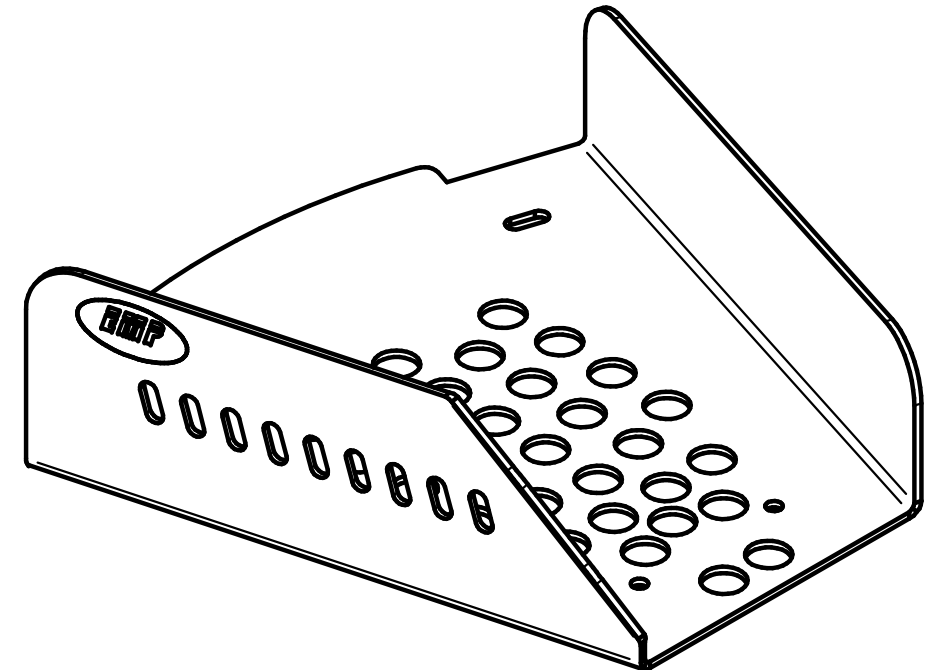
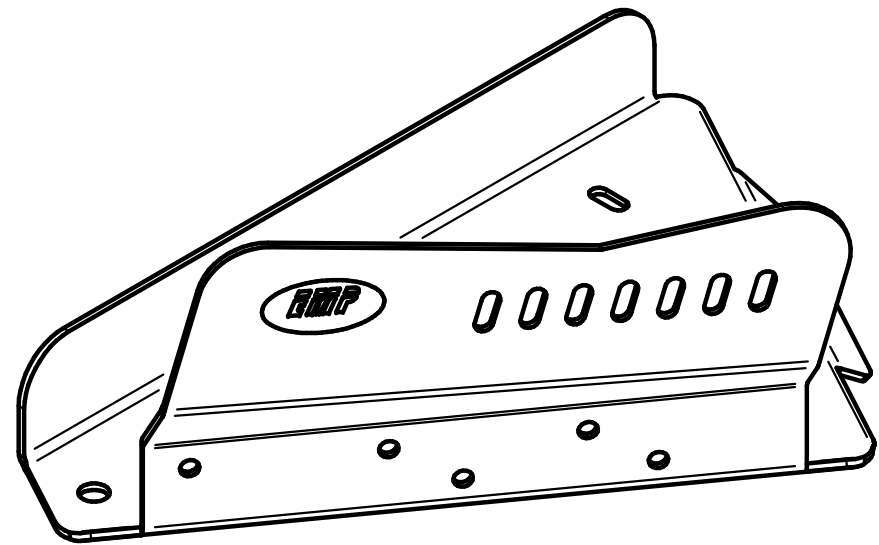


Document Number	Subject
12726-01_11-11-14	FRONT DRIVER A-ARM GUARD FOR 2015 RANGER 570



Document Number	Subject
12726-02_11-11-14	FRONT PASS. A-ARM GUARD FOR 2015 RANGER 570



Document Number	Subject
12726-11_11-11-14	REAR DRIVER A ARM GUARD FOR 2015 RANGER 570

Document Number	Subject
12726-12_11-11-2014	REAR PASS. A ARM GUARD FOR 2015 RANGER MID 570

	NAME	DATE	Extreme Metal Prodcuts, LLC 4730 Briar Rd., Cleveland, OH 44135 216-267-3900		
DRAWN	bott	11/11/14	TITLE 12726_11-11-14		
CHECKED			SIZE B DWG NO 12726_11-11-14 REV 11-11-14		
ENG APPR			FILE NAME: 12726.dft		
MGR APPR			SCALE:	WEIGHT:	SHEET 1 OF 5
UNLESS OTHERWISE SPECIFIED DIMENSIONS ARE IN INCHES ANGLES ±X.X° 2 PL ±X.XX 3 PL ±X.XXX					